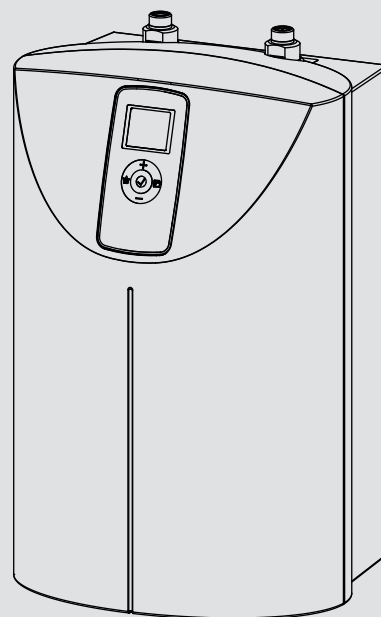


OPERATION AND INSTALLATION

Open vented (non-pressurised) small water heater

» SNE 5 t ECO GB



STIEBEL ELTRON

SPECIAL INFORMATION

OPERATION

1. General information	3
1.1 Safety instructions	3
1.2 Other symbols in this documentation	3
1.3 Units of measurement	3
2. Safety	3
2.1 Intended use	3
2.2 General safety instructions	4
2.3 Test symbols	4
3. Appliance description	4
3.1 Programming unit	5
4. Settings	6
4.1 Operating lock	6
4.2 Standard display	6
4.3 Standard menu	6
4.4 Configuration menu	6
5. Cleaning, care and maintenance	8
6. Troubleshooting	8

INSTALLATION

7. Safety	9
7.1 General safety instructions	9
7.2 Instructions, standards and regulations	9
8. Appliance description	9
8.1 Standard delivery	9
8.2 Accessories	9
9. Preparation	9
9.1 Installation site	9
10. Installation	10
10.1 Appliance installation	10
10.2 Water connection	10
10.3 Electrical connection	10
11. Commissioning	11
11.1 Initial start-up	11
11.2 Recommissioning	11
12. Appliance shutdown	11
13. Troubleshooting	11
14. Maintenance	12
14.1 Draining the appliance	12
14.2 Cleaning the strainer	12
14.3 Opening the appliance	12
14.4 Descaling the appliance	12
14.5 Checks	13
14.6 Replacing the power cable	13
14.7 Positioning the temperature sensor in its protective pipe	13
15. Specification	13
15.1 Dimensions and connections	13
15.2 Wiring diagram	13
15.3 Heat-up diagram	14
15.4 Country-specific approvals and certifications	14
15.5 Extreme operating and fault conditions	14

15.6 Energy consumption data	14
15.7 Data table	14

GUARANTEE | ENVIRONMENT AND RECYCLING

INSTALLATION TEMPLATE (IN THE MIDDLE OF THESE INSTRUCTIONS)

SPECIAL INFORMATION

- The appliance may be used by children aged 8 and older and persons with reduced physical, sensory or mental capabilities or a lack of experience and know-how, provided that they are supervised or they have been instructed on how to use the appliance safely and have understood the potential risks. Children must never play with the appliance. Children must never clean the appliance or perform user maintenance unless they are supervised.
- In the case of a permanent connection, ensure the appliance can be separated from the power supply by an isolator that disconnects all poles with at least 3 mm contact separation.
- The power cable may only be replaced (for example if damaged) by a qualified contractor authorised by the manufacturer, using an original spare part.
- Secure the appliance as described in chapter "Installation / Installation".
- The appliance must only be installed with an open (non-pressurised) tap.
- Never subject the appliance to water pressure.
- The tap outlet has a vent function. Scale build-up can block the outlet and subject the appliance to pressure.
- Never seal the tap outlet.
- Only use special aerators for non-pressurised water heaters.
- Never extend the tap outlet with a hose.
- Drain the appliance as described in chapter "Installation / Maintenance / Draining the appliance".

OPERATION

1. General information

The chapters "Special information" and "Operation" are intended for both users and qualified contractors.

The chapter "Installation" is intended for qualified contractors.



Note
Read these instructions carefully before using the appliance and retain them for future reference.
Pass on the instructions to a new user if required.

1.1 Safety instructions

1.1.1 Structure of safety instructions



KEYWORD Type of risk
Here, possible consequences are listed that may result from failure to observe the safety instructions.
► Steps to prevent the risk are listed.

1.1.2 Symbols, type of risk

Symbol	Type of risk
	Injury
	Electrocution
	Burns (burns, scalding)

1.1.3 Keywords

KEYWORD	Meaning
DANGER	Failure to observe this information will result in serious injury or death.
WARNING	Failure to observe this information may result in serious injury or death.
CAUTION	Failure to observe this information may result in non-serious or minor injury.

1.2 Other symbols in this documentation



Note
General information is identified by the adjacent symbol.
► Read these texts carefully.

Symbol	Meaning
	Material losses (appliance damage, consequential losses and environmental pollution)
	Appliance disposal

► This symbol indicates that you have to do something. The action you need to take is described step by step.

1.3 Units of measurement



Note
All measurements are given in mm unless stated otherwise.

2. Safety

2.1 Intended use

This open vented (non-pressurised) appliance is designed for heating domestic hot water. The appliance can supply one draw-off point.

The appliance is intended for domestic use. It can be used safely by untrained persons. The appliance can also be used in non-domestic environments, e.g. in small businesses, as long as it is used in the same way.

Any other use beyond that described shall be deemed inappropriate. Observation of these instructions and of the instructions for any accessories used is also part of the correct use of this appliance.

2.2 General safety instructions



WARNING Burns

There is a risk of scalding at outlet temperatures in excess of 43 °C.



WARNING Injury

The appliance may be used by children aged 8 and older and persons with reduced physical, sensory or mental capabilities or a lack of experience and know-how, provided that they are supervised or they have been instructed on how to use the appliance safely and have understood the potential risks. Children must never play with the appliance. Children must never clean the appliance or perform user maintenance unless they are supervised.

Where children or persons with limited physical, sensory or mental abilities are allowed to use this appliance, we recommend a permanent temperature limit (see chapter "Settings / Configuration menu / Parameters / P1 | P2").



Material losses

The user should protect the appliance and its tap against frost.



Material losses

Never subject the appliance to water pressure. The tap outlet has a vent function. Scale build-up can block the outlet and subject the appliance to pressure.

- ▶ Never seal the tap outlet.
- ▶ Only use special aerators for non-pressurised water heaters.
- ▶ Never extend the tap outlet with a hose.

2.3 Test symbols

See type plate on the appliance.

3. Appliance description

This open vented (non-pressurised) appliance maintains the water content at the set temperature, in line with the pre-selected operating mode. The appliance may only be installed with taps for open vented (non-pressurised) water heaters (see chapter "Installation / Appliance description / Accessories").

Thermostop function

The thermostop function (thermal separation) prevents the tap becoming hot in standby mode.

Anti-drip function

The anti-drip function prevents expansion water from escaping from the tap during heating. When water is heated, gas bubbles are formed. The amount of gas bubbles depends on the water quality. At temperatures > 75 °C the rising gas bubbles can cause residual water to drip from the tap outlet.

Subject to design, some taps have a tendency to drip for a short while after being closed. This dripping is caused by residual water escaping from the tap outlet and is not linked to expansion water.

ECO mode with hygiene function

To save energy, the cylinder temperature is reduced by 15 °C in ECO mode and the temperature setting range is limited to between 7 and 55 °C.

During ECO mode, the hygiene function inhibits the growth of bacteria. For this, the appliance heats the water content to 73 °C for 30 minutes once a week (Saturday nights).



WARNING Burns

There is a risk of scalding at outlet temperatures in excess of 43 °C.



Note

- Before activating ECO mode, you must first set the day of the week and the time.
- To activate/deactivate ECO mode, press and hold the "ECO" button for at least 1 second.

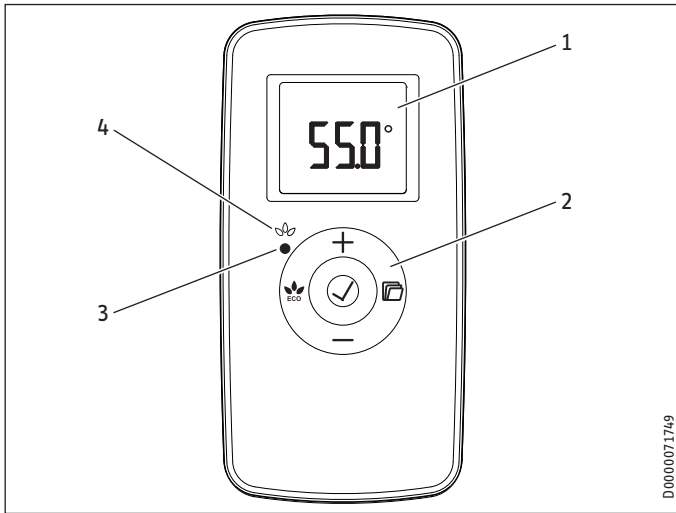
Timer mode

The appliance is equipped with an integrated time switch that enables timer mode. Three configurable time programs are available for this.

OPERATION

Appliance description

3.1 Programming unit



- 1 Display
- 2 User interface
- 3 Red LED
- 4 Green LED

3.1.1 User interface

Button	Designation	Description
	"Menu" button	Call up and exit menus
	"OK" button	Selection Confirm settings
	ECO key	Activate and deactivate ECO mode
	"+" button	Call up menu items Change settings Activate and deactivate operating lock
	"-" button	Call up menu items Change settings Activate and deactivate operating lock

3.1.2 LED indicator

LED	Meaning
Red LED illuminates	Appliance heating up
Green LED illuminates	ECO mode active
Green and red LED illuminate	ECO mode active Appliance heating up
Green LED illuminates	ECO mode active
Red LED flashes	The appliance heats to 73 °C (hygiene function)
Red LED flashes	Fault (see chapter "Installation / Troubleshooting / Fault list") Call your qualified contractor.
Green LED flashes	The appliance was disconnected from the power supply for a long time (approx. 8 hours). Reset the day and time.

3.1.3 Display

Backlighting

If no user action occurs for 20 seconds, the backlighting switches off. Press any button to switch the background lighting on again.

Symbols

Symbol	Description
	Time display: Indication of the current time or a programmed start time.
	Timer mode: The appliance heats in accordance with the selected time program.
	Comfort mode: The appliance maintains the set comfort temperature.
	Setback mode: The appliance maintains the selected setback temperature.
	Frost protection: The appliance is protected against frost (frost protection temperature = 7 °C). The tap and the water lines are not protected.
	Operating lock The user interface is locked.
	Heating enabled: The appliance is heating to maintain the selected set temperature.
	Temperature display
	Editable parameter: The parameter shown can be changed using "+" and "-".

4. Settings

4.1 Operating lock

To lock or unlock the programming keys, press and hold "+" and "-" simultaneously for 5 seconds.

4.2 Standard display

The standard display is continuously displayed. If no user action is performed for longer than 20 seconds while in the menu, the device automatically switches to the standard display.





The standard display shows the current set temperature as well as the "Editable parameter" symbol. You can use the "+" and "-" keys to adjust the set temperature.

If the selected set temperature corresponds to one of the values set for the comfort, setback or frost protection temperature, the symbol for the corresponding operating mode (comfort mode, setback mode, frost protection) appears in the menu bar.

The set temperature can also be changed manually when in timer mode. The changed set temperature is maintained until the next programmed start time is reached.

4.3 Standard menu

To access the standard menu, briefly press "Menu". You can now call up the following menu items using the "+" and "-" buttons:

Display	Description
	Select day of the week and time
	Select comfort temperature (factory setting = 65 °C)
	Select setback temperature (factory setting = 45 °C)
	Activate or deactivate (off) timer mode (Pro1, Pro2, Pro3)

To change the setting of a menu item, call up the relevant menu item using "+" and "-". Press "OK".

As soon as the "Editable parameter" symbol appears, you can change the setting of the menu item with "+" and "-". Press "OK" to save the setting.

To exit the standard menu, press "Menu". The standard display appears.



Note

During initial start-up and following prolonged power supply interruptions (approx. 8 hours), you must set the day of the week and the time.

4.4 Configuration menu

Display	Description
I1-I3	Actual values
Pro1-Pro3	Time programs
P1-P5	Parameter

In the configuration menu, you can call up actual values, program time programs for timer mode and set parameters.

To access the configuration menu, press and hold "Menu". After approx. 3 seconds, actual value I1 is displayed.

Use "+" and "-" to switch between the individual actual values, time programs and parameters.

To exit the configuration menu, press "Menu". The standard display appears.

4.4.1 Actual values

The following actual values can be called up:

Display	Description	Unit
I1	Actual temperature	[°C] [°F]
I2	Operating time	[d]
I3	Heating time (counter is reset to 0 after reaching 9999)	[h]

4.4.2 Time programs

There are three time programs available when using the appliance in timer mode. Time programs Pro1 and Pro2 are pre-configured at the factory. The Pro3 time program can be set in accordance with your individual preferences.

Display	Description
Pro1	Repeated: Daily Suitable for private households, for example
Pro2	Repeated: Weekdays Suitable for workplaces, for example
Pro3	user defined



Note

Ensure the day of the week and the time are set correctly when setting the time programs.



Note

Timer mode is suspended when ECO mode ("ECO" button) is activated.
Deactivate ECO mode using the "ECO" button.

OPERATION

Settings

Pro1 | Pro2

You can specify the comfort mode start and end times with time programs Pro1 and Pro2. Outside this specified time period, the appliance operates in setback mode. This results in a comfort phase and a setback phase, which are repeated daily (Pro1) or on every working day (Pro2).

These phases are factory-set as follows:

- 08:00 h - 22:00 h: Comfort mode
- 22:00 h - 08:00 h: Setback mode



Note

When time program Pro2 is enabled, the appliance operates at weekends exclusively in setback mode.

To set time programs Pro1 and Pro2 according to your preferences, proceed as follows:

- ▶ In the configuration menu, use "+" and "-" to call up the required time program.
- ▶ Press "OK".
The start time for comfort mode is displayed.
- ▶ Use "+" and "-" to set the required start time.
- ▶ Press "OK".
The end time for comfort mode is displayed.
- ▶ Use "+" and "-" to set the required end time.
- ▶ Press "OK".
The time program is configured.

Pro3

You can use time program Pro3 to specify up to 14 separate comfort phases which are repeated weekly.

To configure a comfort phase in time program Pro3, proceed as follows:

- ▶ In the configuration menu, use "+" and "-" to call up time program Pro3.
- ▶ Press "OK".
The display shows "3---".
- ▶ Press "OK".
The day of the week or a group of days is displayed.
- ▶ Use "+" and "-" to select the required day or group of days.
- ▶ Press "OK".
The start time for comfort mode is displayed.
- ▶ Use "+" and "-" to set the required start time.
- ▶ Press "OK".
The end time for comfort mode is displayed.
- ▶ Use "+" and "-" to set the required end time.
- ▶ Press "OK".
Comfort phase "3-01" has been configured. The Pro3 time program is displayed again.
- ▶ Press "OK" to configure a further comfort phase. Use "+" and "-" to select the "3---" display. Proceed as described previously.



Note

The following applies to all time programs (Pro1, Pro2, Pro3):

- If the end time is before the start time, the end time will automatically be moved to the next day of the week. The comfort phase is maintained past midnight and will end on the next day at the set end time.
-



Note

Activate the required time program in the standard menu (see chapter "Operation / Settings / Standard menu").



Note

To reset the selected comfort phases, activate parameter P5.

- ▶ Please note that activating parameter P5 resets all appliance settings to the factory setting.
-

4.4.3 Parameter

You can call up the following parameters:

Display	Description	Options
P1	Min. temperature limit	7 to 55 °C
P2	Max. temperature limit	30 to 85 °C
P3	Time format	12 h 24 h
P4	Temperature display units	°C °F
P5	Restoring factory settings	on off

To change the value of a parameter, use "+" and "-" to call up the relevant parameter. Press "OK".

As soon as the "Editable parameter" symbol appears, you can change the parameter value with "+" and "-". Press "OK" to save the selected value.

P1 | P2: Temperature limit

Parameters P1 and P2 can be used to limit the temperature setting range to a minimum (P1) and a maximum (P2) temperature.

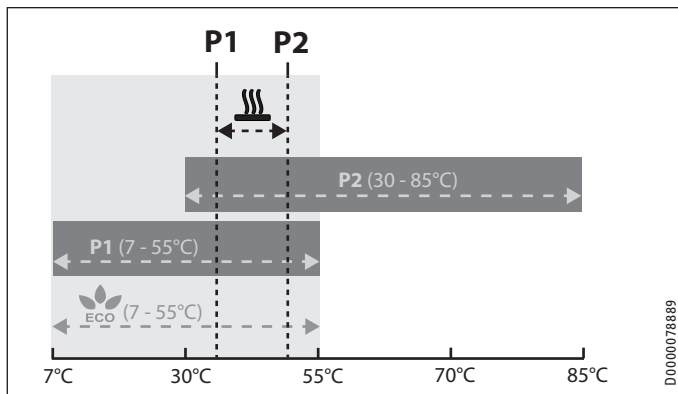
You can also limit the temperature setting range to an individual set value (30...55 °C). For this, set the same value for P1 and P2.



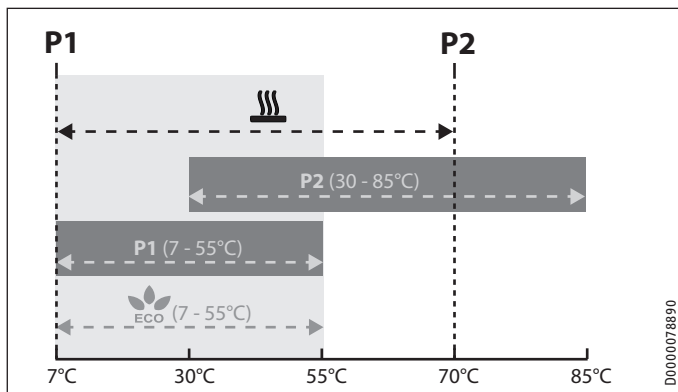
Note

The temperature limitation is an absolute higher safety function that applies for all temperature settings.

Example 1:



Example 2:



P3: Time format

Parameter P3 allows you to specify whether the time is displayed in the 12 hour or 24 hour format.

P4: Temperature display units

Parameter P4 allows you to specify whether the temperature is displayed in degrees Centigrade [°C] or in degrees Fahrenheit [°F]. Factory setting = [°C].

P5: Restoring factory settings

Activating parameter P5 resets the appliance to the factory setting.

5. Cleaning, care and maintenance

- ▶ Never use abrasive or corrosive cleaning agents. A damp cloth is sufficient for cleaning the appliance.
- ▶ Check the tap regularly. You can remove limescale deposits at the outlet using commercially available descaling agents.

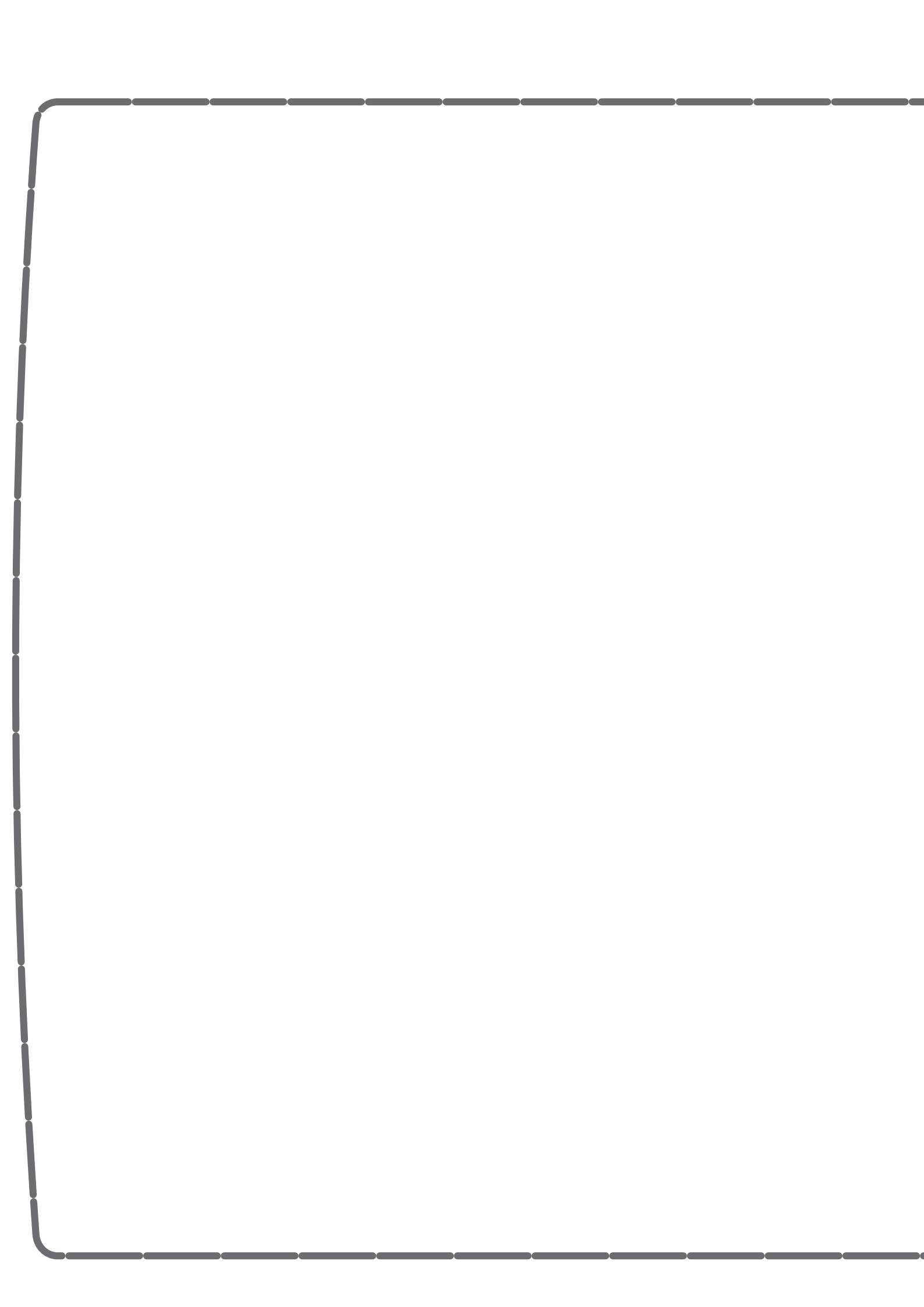
Almost every type of water will deposit limescale at high temperatures. This settles inside the appliance and affects both performance and service life. The heating element should therefore be descaled if necessary. A qualified contractor who is aware of the local water quality will tell you when the next descaling is due.

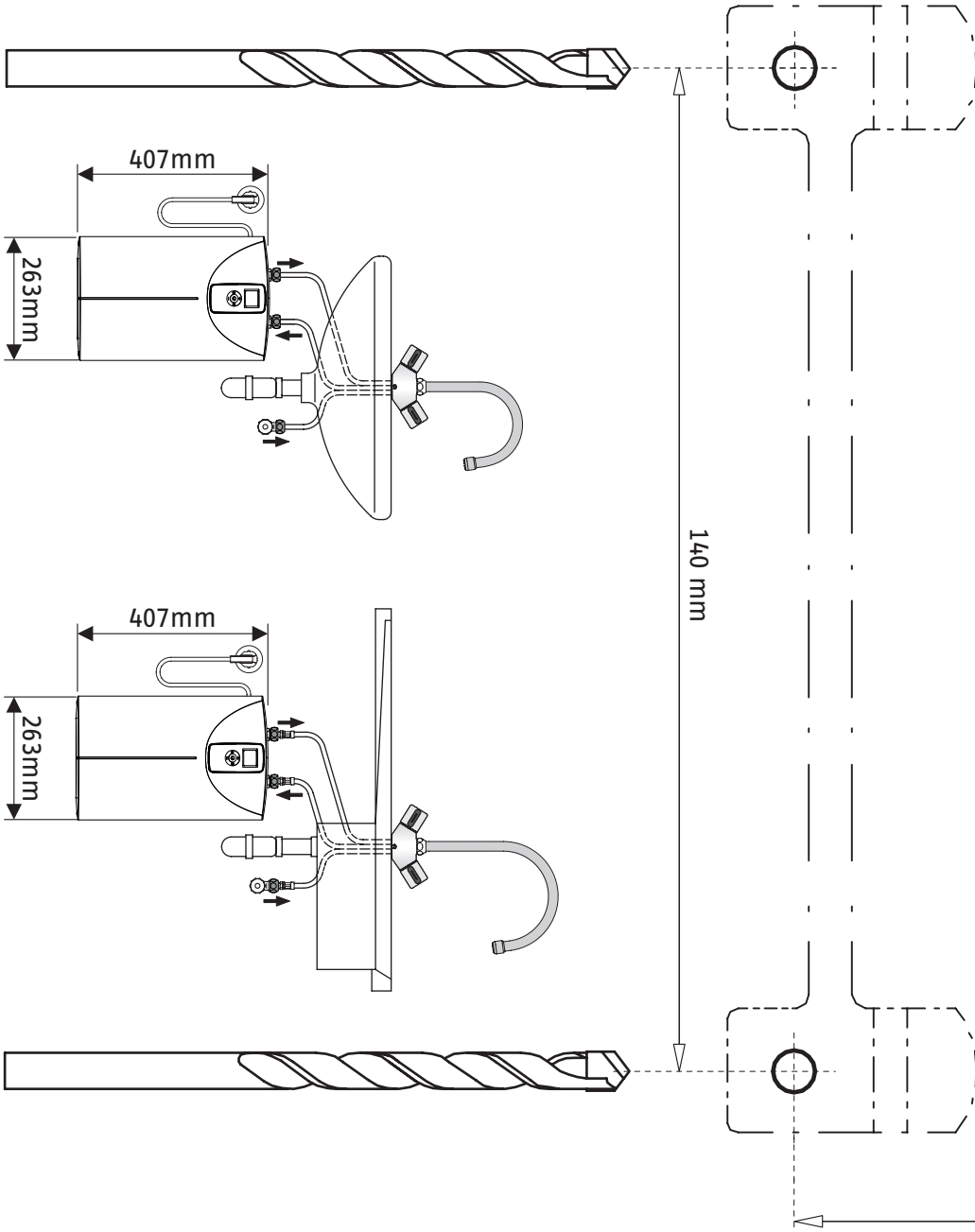
6. Troubleshooting

Problem	Cause	Remedy
The appliance does not supply hot water.	The appliance is operating in frost protection mode. No power at the appliance.	Increase the set temperature ("+"). Check the plug / fuses in the distribution board.
The water flow rate at the tap is very low.	The aerator in the tap is scaled up.	Descal / replace the aerator.
Loud boiling noises inside the appliance.	The appliance is scaled up.	Have the appliance descaled by a qualified contractor.
Water drips from the tap outlet during the heat-up process.	Frequent minimal draw-off rates (< 0.4 l/min).	Change your draw-off pattern (> 0.4 l/min).
Green LED flashes	The appliance was disconnected from the power supply for a long time (approx. 8 hours).	Reset the day and time (see chapter "Settings / Standard menu").

If you cannot remedy the fault, contact your qualified contractor. To facilitate and speed up your enquiry, please provide the serial number from the type plate (000000-0000-000000).

INSTALLATION TEMPLATE





NOTES

INSTALLATION

7. Safety

Only a qualified contractor should carry out installation, commissioning, maintenance and repair of the appliance.

7.1 General safety instructions

We guarantee trouble-free function and operational reliability only if original accessories and spare parts intended for the appliance are used.

7.2 Instructions, standards and regulations



Note

Observe all applicable national and regional regulations and instructions.

8. Appliance description

The open vented (non-pressurised) appliance is only suitable for undersink installation. The appliance is intended to heat cold water for supplying a single draw-off point.

The appliance must only be installed with an open (non-pressurised) tap (see chapter "Installation / Appliance description / Accessories").

8.1 Standard delivery

The following are delivered with the appliance:

- Wall mounting bracket

8.2 Accessories

8.2.1 Required accessories

The following taps are available as accessories for open vented operation:

Mixer taps

- WST, WUT

Mono-lever mixer taps

- MEW, MES, MEWC

Sensor taps

- WSN

8.2.2 Additional accessories

- Strainer for the "cold water inlet" connection

9. Preparation

- ▶ Flush the water line thoroughly.

Water installation

No safety valve is required.

Taps/valves



Material losses

Sealed unvented taps are not permitted.

- ▶ Install a tap for open vented operation.

9.1 Installation site



Material losses

Install the appliance in a room free from the risk of frost.



Material losses

Mount the appliance on the wall. The wall must have sufficient load bearing capacity.



Material losses

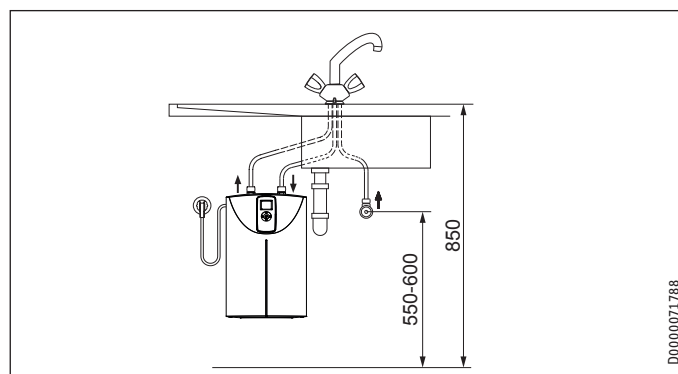
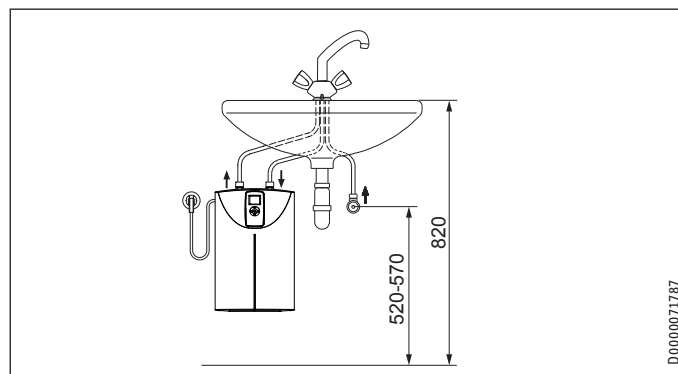
The appliance is only suitable for undersink installation. The water connections of the appliance are at the top.



Note

Make sure that the appliance is freely accessible for maintenance work.

Always install the appliance vertically and near the draw-off point.



INSTALLATION

Installation

10. Installation

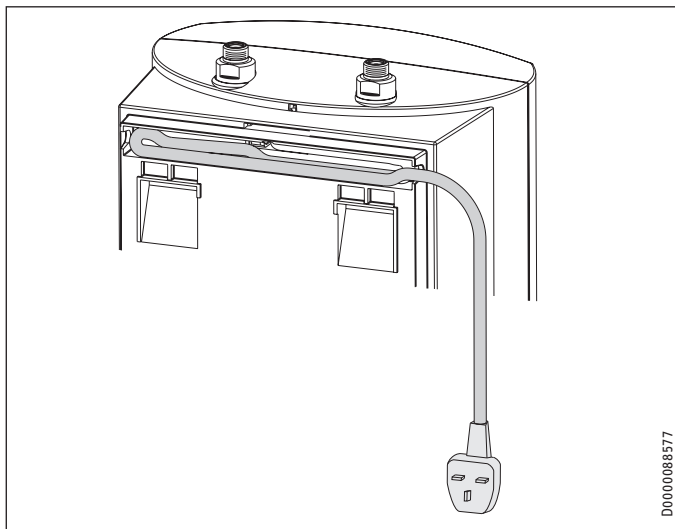
10.1 Appliance installation

- ▶ Mark out the drill holes using the installation template (see middle part of these instructions).
- ▶ Drill the holes and insert suitable rawl plugs.
- ▶ Secure the wall mounting bracket using suitable screws.
- ▶ Hang the appliance on the wall mounting bracket.



Note

Surplus cable can be stored in the cable compartment.



D0000088577

10.2 Water connection



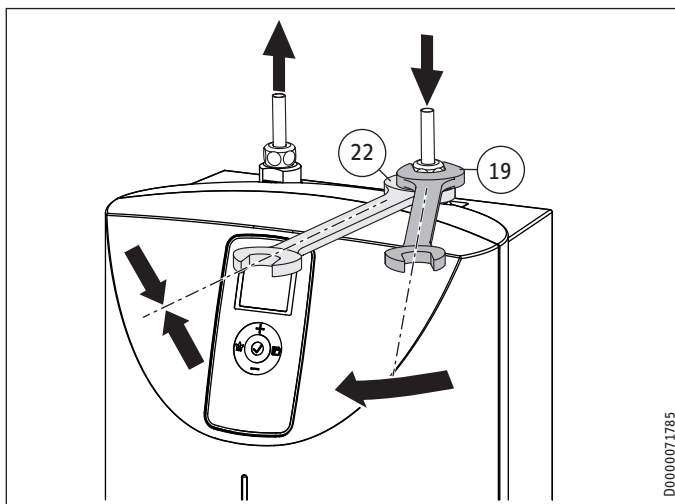
Material losses

Carry out all water connection and installation work in accordance with regulations.



Material losses

When tightening the fittings, counterhold with a suitable spanner.



D0000071785



Material losses

The appliance may develop a leak and cease functioning.

- ▶ Never subject the appliance to water pressure.
- ▶ Never interchange the water connections.
- ▶ Set the flow rate (see tap instructions). Observe the maximum permissible flow rate with a fully opened tap (see chapter "Installation / Specification / Data table").

Match up the colour coding on the tap water connections and the appliance:

- R.h. side blue = "Cold water inlet"
- L.h. side red = "DHW outlet"

- ▶ Secure the water connections from the tap to the appliance.



Note

Ensure that the water connections are not kinked during installation. Prevent any tensioning during installation.

10.3 Electrical connection



WARNING Electrocutation

Carry out all electrical connection and installation work in accordance with relevant regulations.



WARNING Electrocutation

In the case of a permanent connection, ensure the appliance can be separated from the power supply by an isolator that disconnects all poles with at least 3 mm contact separation.



WARNING Electrocutation

Ensure that the appliance is earthed.



Material losses

The voltage specified on the type plate must match the mains voltage.

- ▶ Observe the type plate.

The following electrical connections are permissible:

	SNE 5 t ECO GB
Connection to a freely accessible standard socket with matching plug	X
Permanent connection to an appliance junction box with earth conductor	X

INSTALLATION

Commissioning

11. Commissioning

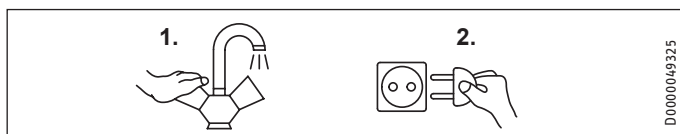


WARNING Electrocutation
Commissioning may only be carried out by a qualified contractor in accordance with safety regulations.



Note
During initial start-up and following prolonged power supply interruptions (approx. 8 hours), you must set the day of the week and the time.

11.1 Initial start-up



- ▶ Either open the DHW valve of the tap or set the mono lever mixer tap to "hot" until the water that flows out is free of air bubbles.
- ▶ Insert the plug into the standard socket or set the fuse/MCB in the distribution board.
- ▶ Select a temperature.
- ▶ Check the entire hydraulic installation for tightness.



Note
If you fail to follow the correct sequence (first water, then power), the boil-dry protection check will respond.

Boil-dry protection

The appliance PCB carries out a boil-dry protection check during initial start-up and after every power supply interruption:

Red LED	Illuminates for 20 s	Appliance heating up
Red LED	40 s off	PCB evaluation

During the boil-dry protection check, the "Heating enabled" symbol flashes and the backlighting is switched on.



- Note**
During the boil-dry protection check ...
- the appliance must not be separated from the power supply.
 - no water may be drawn from the draw-off point.

Following a successful boil-dry protection check, the appliance maintains a set temperature of 55 °C.



Note
If the boil-dry protection check has responded, the fault code "E1" is displayed. Any repeat start-up is blocked for 5 minutes.

Proceed as follows:

- ▶ Fill the appliance with cold water.
- ▶ After a blocking time of 5 minutes, the appliance carries out a new boil-dry protection check.
- ▶ If the fault continues to be displayed, reset the appliance (P5 = on).

11.1.1 Appliance handover

- ▶ Explain the functions of the appliance to the user. Show the user how to operate the appliance.
- ▶ Make the user aware of potential dangers, especially the risk of scalding.
- ▶ Hand over these instructions and, if applicable, the instructions for any accessories.

11.2 Recommissioning

See chapter "Installation / Commissioning / Initial start-up".

12. Appliance shutdown

- ▶ Isolate the appliance from the power supply by removing the plug or by tripping the MCB in the distribution board.
- ▶ Drain the appliance (see chapter "Installation / Maintenance / Draining the appliance").

13. Troubleshooting

Problem	Cause	Remedy
The appliance does not supply hot water.	The high limit safety cut-out has tripped.	Remedy the fault and replace the high limit safety cut-out assembly (safety fuses).
	The strainer in the cold water inlet pipe at the angle valve is blocked.	Clean / replace the strainer (see chapter "Installation / Maintenance / Cleaning the strainer").
Loud boiling noises inside the appliance.	The appliance is scaled up.	Descale the appliance.
The tap drips for a while after it has been closed.	The residual water is not held in the tap outlet.	Replace the aerator in the tap outlet, the tap outlet or the tap.
The tap drips when the appliance is heating up.	An unsuitable tap is being used.	Replace the tap (see chapter "Installation / Appliance description / Accessories").
	The anti-drip function is faulty.	Replace the appliance.

Fault list

Faults are indicated by a rapid flashing of the red LED. The display shows the relevant fault code:

Fault code	Cause	Remedy
E1	Boil dry	See chapter "Commissioning / boil-dry protection".
E2	Sensor break Sensor short circuit	Check the sensor contacts. Replace the sensor if necessary.

14. Maintenance



WARNING Electrocutation
Before any work on the appliance, disconnect all poles of the appliance from the power supply.

- ▶ Dismantle the appliance for maintenance work.

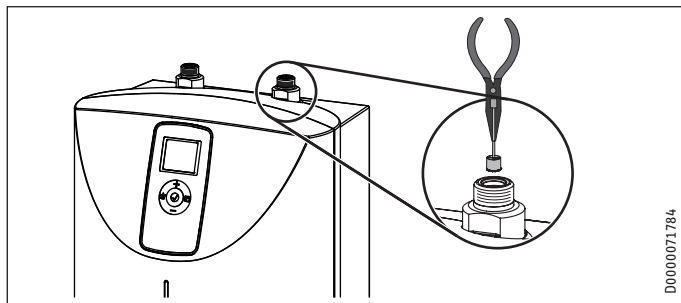
14.1 Draining the appliance



WARNING Burns
Hot water may escape during draining.

- ▶ Drain the appliance via its connectors.

14.2 Cleaning the strainer



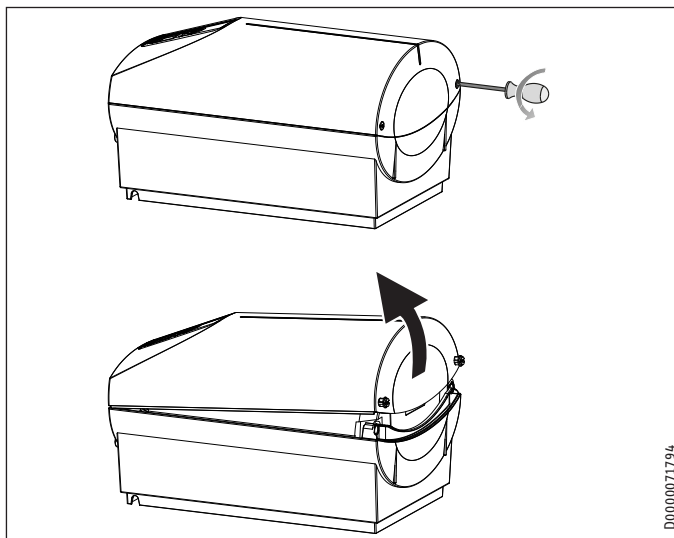
- ▶ Detach the "cold water inlet" connection.
- ▶ Using pliers, remove the strainer from the "cold water inlet" connection.
- ▶ Descale or replace the strainer.

D0000071784

14.3 Opening the appliance



Material losses
Incorrect handling can damage the BUS connection between the programming unit and the main PCB.
▶ Carefully pivot the appliance cover when opening.



D0000071794

- ▶ Open the appliance cover by lowering the bolt screws inwards and pivot the cover upwards, then remove it.



Material losses
▶ When closing the appliance, stow the BUS cable in the recess provided in the thermal insulation.

14.4 Descaling the appliance



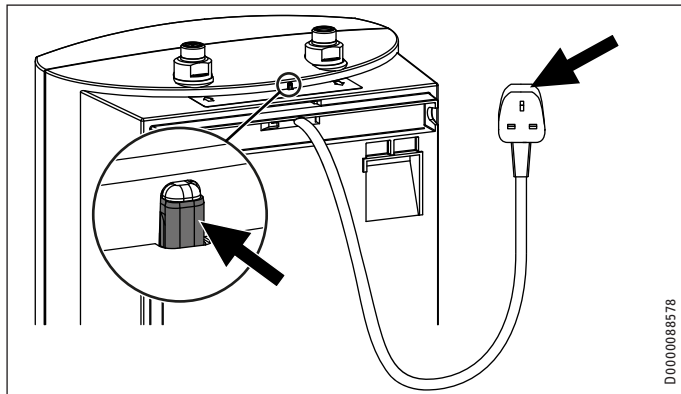
Material losses
Never treat the cylinder surface with descaling agents.

- ▶ Remove the flanged immersion heater.
- ▶ Carefully tap the heating element to remove coarse limescale deposits.
- ▶ Immerse the heating element up to the flange plate in descaling agent.

INSTALLATION Specification

14.5 Checks

Earth conductor check



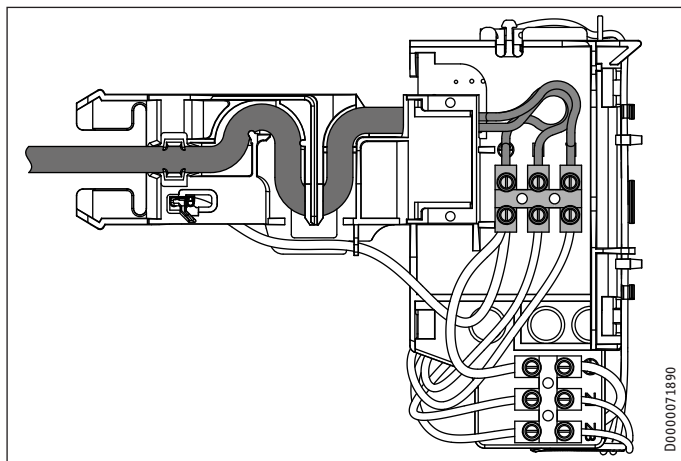
- ▶ Check the earth conductor on the test contact between the water connections and on the earth conductor contact of the power cable.

Insulation resistance

To check the effectiveness of the insulating properties of the appliance, we recommend conducting a differential current test of the earth conductor current/leakage current.

14.6 Replacing the power cable

The power cable must only be replaced by a qualified contractor with an original spare part.



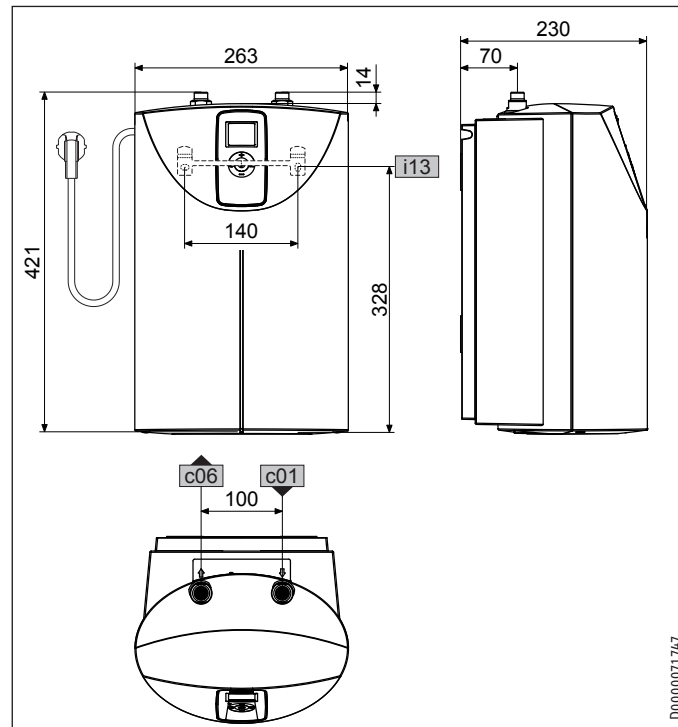
- ▶ Route the power cable along the cable guide.

14.7 Positioning the temperature sensor in its protective pipe

- ▶ Insert the temperature sensor into the protective pipe.
- ▶ Secure the temperature sensor in place below the earthed plug.

15. Specification

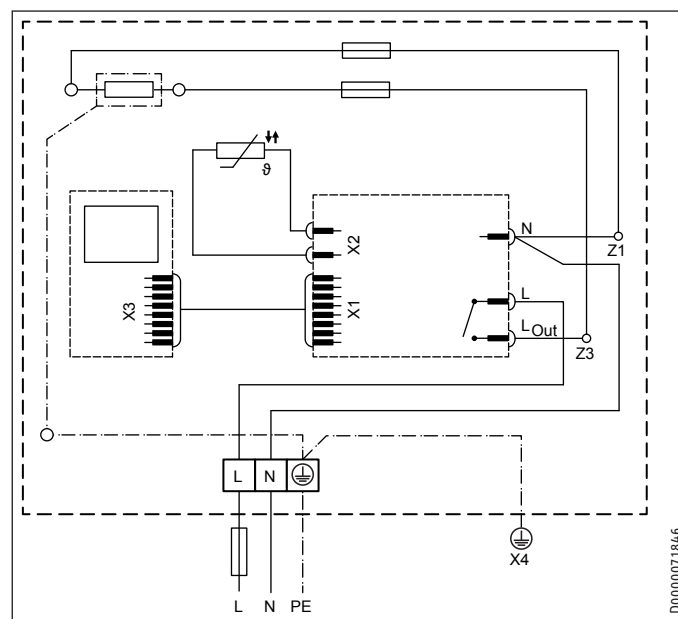
15.1 Dimensions and connections



		SNE 5 t ECO GB
c01	Cold water inlet	Male thread G 3/8 A
c06	DHW outlet	Male thread G 3/8 A
i13	Wall mounting bracket	

15.2 Wiring diagram

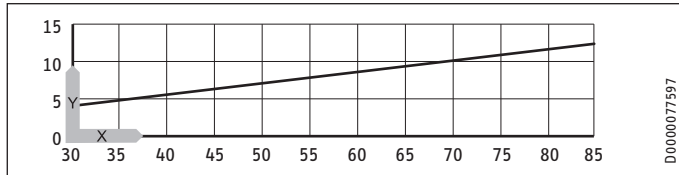
1/N/PE ~ 220 - 240 V



INSTALLATION Specification

15.3 Heat-up diagram

The heat-up period depends on the degree of scaling and residual heat. For the heat-up time for a cold water supply at 10 °C and a maximum temperature setting, see the diagram.



x Temperature in °C

y Duration in min

15.4 Country-specific approvals and certifications

See the type plate for test symbols.

15.5 Extreme operating and fault conditions

In the case of faults, a peak temperature of up to 100 °C may briefly occur in the system.

15.6 Energy consumption data

Product datasheet: Conventional water heaters to regulation (EU) no. 812/2013 and 814/2013

		SNE 5 t ECO GB
		202135
Manufacturer		STIEBEL ELTRON
Load profile		XXS
Energy efficiency class		A
Energy conversion efficiency	%	38
Annual power consumption	kWh	489
Default temperature setting	°C	55
Sound power level	dB(A)	15
Daily power consumption	kWh	2.260

15.7 Data table

		SNE 5 t ECO GB		
		202135		
Hydraulic data				
Rated capacity	l	5		
Mixed water volume at 40 °C	l	10		
Electrical details				
Rated voltage	V	220	230	240
Rated output	kW	1.8	2	2.2
Rated current	A	8.3	8.7	9.1
Fuse protection	A	10		
Phases		1/N/PE		
Frequency	Hz	50/60		
Power supply		1/N/PE		
Application limits				
Available temperature range	°C	30 - 85		
Max. permissible pressure	MPa	0		
Max. throughput	l/min	5		
Energy data				
Standby energy consumption / 24h at 38 °C	kWh	0.09		
Standby energy consumption / 24 h at 65 °C	kWh	0.2		
Energy efficiency class		A		
Versions				
IP-Rating		IP24 D		
Type of installation		Undersink		
Type		open		
Material, internal cylinder		PP		
Thermal insulation material		EPS		
Casing material		ASA		
Colour		white		
Connections				
Water connection		G 3/8 A		
Dimensions				
Height	mm	421		
Width	mm	263		
Depth	mm	230		
Length of connecting cable	mm	600		
Weights				
Weight	kg	3.1		

Guarantee

The guarantee conditions of our German companies do not apply to appliances acquired outside of Germany. In countries where our subsidiaries sell our products a guarantee can only be issued by those subsidiaries. Such guarantee is only granted if the subsidiary has issued its own terms of guarantee. No other guarantee will be granted.

We shall not provide any guarantee for appliances acquired in countries where we have no subsidiary to sell our products. This will not affect warranties issued by any importers.

Environment and recycling

We would ask you to help protect the environment. After use, dispose of the various materials in accordance with national regulations.

Deutschland

STIEBEL ELTRON GmbH & Co. KG
Dr.-Stiebel-Straße 33 | 37603 Holzminden
Tel. 05531 702-0 | Fax 05531 702-480
info@stiebel-eltron.de
www.stiebel-eltron.de

Verkauf

Tel. 05531 702-110 | Fax 05531 702-95108 | info-center@stiebel-eltron.de

Kundendienst

Tel. 05531 702-111 | Fax 05531 702-95890 | kundendienst@stiebel-eltron.de

Ersatzteilverkauf

Tel. 05531 702-120 | Fax 05531 702-95335 | ersatzteile@stiebel-eltron.de

Australia

STIEBEL ELTRON Australia Pty. Ltd.
294 Salmon Street | Port Melbourne VIC 3207
Tel. 03 9645-1833 | Fax 03 9644-5091
info@stiebel-eltron.com.au
www.stiebel-eltron.com.au

Austria

STIEBEL ELTRON Ges.m.b.H.
Gewerbegebiet Neubau-Nord
Margaritenstraße 4 A | 4063 Hörsching
Tel. 07221 74600-0 | Fax 07221 74600-42
info@stiebel-eltron.at
www.stiebel-eltron.at

Belgium

STIEBEL ELTRON bvba/sprl
't Hofveld 6 - D1 | 1702 Groot-Bijgaarden
Tel. 02 42322-22 | Fax 02 42322-12
info@stiebel-eltron.be
www.stiebel-eltron.be

China

STIEBEL ELTRON (Tianjin) Electric Appliance Co., Ltd.
Plant C3, XEDA International Industry City
Xiqing Economic Development Area
300085 Tianjin
Tel. 022 8396 2077 | Fax 022 8396 2075
info@stiebel-eltron.cn
www.stiebel-eltron.cn

Czech Republic

STIEBEL ELTRON spol. s r.o.
Dopraváků 749/3 | 184 00 Praha 8
Tel. 251116-111 | Fax 235512-122
info@stiebel-eltron.cz
www.stiebel-eltron.cz

Finland

STIEBEL ELTRON OY
Kapinakuja 1 | 04600 Mäntsälä
Tel. 020 720-9988
info@stiebel-eltron.fi
www.stiebel-eltron.fi

France

STIEBEL ELTRON SAS
7-9, rue des Selliers
B.P 85107 | 57073 Metz-Cédex 3
Tel. 0387 7438-88 | Fax 0387 7468-26
info@stiebel-eltron.fr
www.stiebel-eltron.fr

Hungary

STIEBEL ELTRON Kft.
Gyár u. 2 | 2040 Budaörs
Tel. 01 250-6055 | Fax 01 368-8097
info@stiebel-eltron.hu
www.stiebel-eltron.hu

Japan

NIHON STIEBEL Co. Ltd.
Kowa Kawasaki Nishiguchi Building 8F
66-2 Horikawa-Cho
Saiwai-Ku | 212-0013 Kawasaki
Tel. 044 540-3200 | Fax 044 540-3210
info@nihonstiebel.co.jp
www.nihonstiebel.co.jp

Netherlands

STIEBEL ELTRON Nederland B.V.
Daviottenweg 36 | 5222 BH 's-Hertogenbosch
Tel. 073 623-0000 | Fax 073 623-1141
info@stiebel-eltron.nl
www.stiebel-eltron.nl

Poland

STIEBEL ELTRON Polska Sp. z O.O.
ul. Działkowa 2 | 02-234 Warszawa
Tel. 022 60920-30 | Fax 022 60920-29
biuro@stiebel-eltron.pl
www.stiebel-eltron.pl

Russia

STIEBEL ELTRON LLC RUSSIA
Urzhumskaya street 4,
building 2 | 129343 Moscow
Tel. 0495 7753889 | Fax 0495 7753887
info@stiebel-eltron.ru
www.stiebel-eltron.ru

Slovakia

STIEBEL ELTRON Slovakia, s.r.o.
Hlavná 1 | 058 01 Poprad
Tel. 052 7127-125 | Fax 052 7127-148
info@stiebel-eltron.sk
www.stiebel-eltron.sk

Switzerland

STIEBEL ELTRON AG
Industrie West
Gass 8 | 5242 Lupfig
Tel. 056 4640-500 | Fax 056 4640-501
info@stiebel-eltron.ch
www.stiebel-eltron.ch

Thailand

STIEBEL ELTRON Asia Ltd.
469 Moo 2 Tambol Klong-Jik
Amphur Bangpa-In | 13160 Ayutthaya
Tel. 035 220088 | Fax 035 221188
info@stiebel-eltronasia.com
www.stiebel-eltronasia.com

United Kingdom and Ireland

STIEBEL ELTRON UK Ltd.
Unit 12 Stadium Court
Stadium Road | CH62 3RP Bromborough
Tel. 0151 346-2300 | Fax 0151 334-2913
info@stiebel-eltron.co.uk
www.stiebel-eltron.co.uk

United States of America

STIEBEL ELTRON, Inc.
17 West Street | 01088 West Hatfield MA
Tel. 0413 247-3380 | Fax 0413 247-3369
info@stiebel-eltron-usa.com
www.stiebel-eltron-usa.com

STIEBEL ELTRON



Irrtum und technische Änderungen vorbehalten! | Subject to errors and technical changes! | Sous réserve d'erreurs et de modifications techniques! | Onder voorbehoud van vergissingen en technische wijzigingen! | Salvo error o modificación técnica! | Excepto erro ou alteração técnica | Zastrzeżone zmiany techniczne i ewentualne błędy | Omyly a technické změny jsou vyhrazeny! | A muszáki változtatások és tévedések jogát fenntartjuk! | Отсутствие ошибок не гарантируется. Возможны технические изменения. | Chyby a technické zmeny sú vyhradené! | Stand 9535