



## DEVIreg™ 530, DEVIreg™ 531, DEVIreg™ 532, DEVIreg™ 528, DEVIreg™ 530M

**DEVIreg™ 528/530/530M/531/532** 532 is a line of simple electronic thermostats with a 2-pole switch and for flush-mounted fixing. The thermostats are used to control indoor floor heating systems.

**DEVIreg™ 530** is a 15 Amps thermostat with a wire (floor) sensor, used to control Comfort Floor Heating systems. The thermostat has a dial for adjusting the temperature setting with a numeric scale from ❄️ to 6 (meaning from 5 °C to 45 °C and each step corresponds to approx. 8 °C).

**DEVIreg™ 531** is a 15 Amps thermostat with a built-in air (room) sensor, used to control Direct Floor Heating systems. It has a dial for adjusting the temperature setting with a degree scale from ❄️ to 35 °C (meaning from 5 °C to 35 °C).

**DEVIreg™ 532** is a 15 Amps thermostat with a built-in air (room) sensor to control the room temperature and an additional floor (wire) sensor to limit the maximum floor temperature. The thermostat is used to control Direct Heating via Floor systems with limitation of maximum floor temperature in wooden floors and other heat sensitive floors. It has a dial for adjusting the room temperature, with a degree scale from ❄️ to 35 °C (meaning from 5 °C to 35 °C). Adjusting of the maximum floor temperature is provided by potentiometer placed under front cover (default 35 °C).

**DEVIreg™ 528** is a 10 Amps thermostat with a floor (wire) sensor to measure and control the desired floor temperature. The thermostat has a dial for adjusting the temperature setting with a scale from ❄️ to 6 (from 5 °C to 45 °C).

**DEVIreg™ 530M** is a 15 Amps thermostat with max. floor temperature 35 °C and a 2-pole switch to be installed directly on the wall, using a floor(wire) sensor to measure and control the desired floor temperature (max. 35 °C). The thermostat has a dial for adjusting the temperature setting with a scale from ❄️ to 6 (from 5 °C to 35 °C).

The thermostats have a LED indicator showing standby (green light) and heating (red light) periods. Furthermore, they have a wire sensor failure monitoring - flashing green light - and switch off the heating, if the sensor is disconnected or short-circuited.

### Benefits:


- 2-pole safety breaker
- Low standby consumption
- Sensor failure monitoring
- LED indication for fault
- Frost protection

### Standard compliance:

- EN/IEC 60730-1 (general)
- EN/IEC 60730-2-9 (thermostat)

### Approvals:



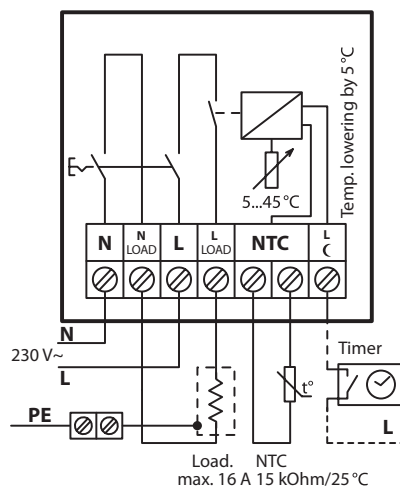
Type	Value
Operation voltage	220 - 240 V, 50/60 Hz
Standby power consumption	Max. 0,25 W
Resistive load: DEVIreg™530/ 531/532/530M DEVIreg™ 528	Max 15 A (3450 W) @ 230 V Max 10 A (2300 W) @ 230 V
Inductive load	Max. 1 A, cos φ = 0,3
Hysteresis	± 0,4 °C
Sensing unit	NTC 15 kOhm at 25 °C
Ambient temperature	-10 °C to +30 °C
Frost protection	5 °C - ❄️
Cable specification max	1 x 4 mm <sup>2</sup> or 2 x 2,5 mm <sup>2</sup>
Ball pressure test temperature	75 °C
Pollution degree	2 (domestic use)
Controller type	1 C
Storage temperature	-20 °C to +65 °C
IP class	IP 31
Protection class	Class II - 
Dimensions (H/W/D)	85 x 85 x 36 mm
Weight	90 g

## Types

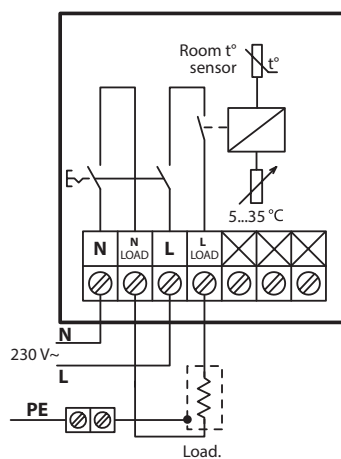
Item no.	Product name	Frame	Temperature range	Sensor type	Marking	EAN no.
140F1030	DEVireg™ 530	ELKO	5-45 °C	Wire sensor, 3 m, NTC 15 kOhm at 25 °C	D530	5703466208991
140F1031	DEVireg™ 530	ELJO	5-45 °C	Wire sensor, 3 m, NTC 15 kOhm at 25 °C	D530	5703466209004
140F1032	DEVireg™ 530	JUSSI	5-45 °C	Wire sensor, 3 m, NTC 15 kOhm at 25 °C	D530	5703466209011
19150352	DEVireg™ 530	10 pcs. pack JUSSI	5-45 °C	Wire sensor, (3 m, NTC 15 kOhm at 25 °C)	D530	5703466152829
140F1034	DEVireg™ 531	ELKO	5-35 °C	Built-in room sensor	D531	5703466209035
140F1036	DEVireg™ 531	JUSSI	5-35 °C	Built-in room sensor	D531	5703466209059
140F1037	DEVireg™ 532	ELKO	5-35 °C room temperature; 20-50 °C floor temperature limiter (default 35 °C)	Built-in room sensor and wire sensor, (3 m, NTC 15 kOhm at 25 °C)	D532	5703466209066
140F1039	DEVireg™ 532	JUSSI	5-35 °C room temperature; 20-50 °C floor temperature limiter (default 35 °C)	Built-in room sensor and wire sensor, (3 m, NTC 15 kOhm at 25 °C)	D532	5703466209080
140F1042	DEVireg™ 528	JUSSI	5-45 °C	Wire sensor, 3 m, NTC 15 kOhm at 25 °C	D528	5703466208991
19150350	DEVireg™ 528	10 pcs. pack JUSSI	5-45 °C	Wire sensor, (3 m, NTC 15 kOhm at 25 °C)	D528	5703466209011
140F1101	DEVireg™ 530M	ELKO	15-35 °C	Wire sensor, 3 m, NTC 15 kOhm at 25 °C	D530M	5703466210406

## Connection schemes

DEVireg™ 530/530M/528



DEVireg™ 531



DEVireg™ 532

