

## HERSCHEL IR360 Ceiling-mounted Infrared Heaters

### INSTALLATION & OPERATING INSTRUCTIONS



IP20

#### ELECTRICAL EQUIPMENT:



Waste electrical products should not be disposed of with household waste. Please recycle where facilities exist.



#### IMPORTANT NOTICE TO PURCHASER:

Before utilizing the product, you should determine the suitability of the product for its intended use. HERSCHEL INFRARED LTD expressly disclaims the implied warranties and conditions of merchantability and fitness for a particular purpose. In no case shall HERSCHEL INFRARED LTD be liable under any legal theory, including but not limited to contract or strict liability, for any direct, indirect special, incidental or consequential damages resulting from product use.



The product complies with European Safety Standards for Industrial Use, RoHS and compatibility with EMC EN 50336 and EN 62233. Not intended for Household or Similar use.  
Original instructions covering IR360 1950W produced 042016 onwards.

# IMPORTANT SAFETY PRECAUTIONS

## READ THESE INSTRUCTIONS CAREFULLY AND RETAIN FOR FUTURE REFERENCE.

Failure to observe these instructions will invalidate the warranty.

This unit may be a source of possible shock and must only be installed and serviced by a qualified electrician.

Do not disassemble. No user-serviceable parts inside.

Source of possible ignition.

The heating elements reach very high temperatures without visible signs of the unit being on. The heaters are not for domestic or household use. The heaters must not be used or installed in any commercial premises where they can be accidentally touched or where there is a risk of damage to the ceramic elements.



## WARNING

### TO REDUCE THE RISK OF FIRE, ELECTRIC SHOCK OR INJURY:

1. This appliance must be disconnected from its power source during installation or service activities and when replacing.
2. This heater is not equipped with a device to control the room temperature. Do not use this heater in small rooms when they are occupied by persons not capable of leaving the room on their own, unless constant supervision is provided.
3. In order to avoid overheating and potential fire hazard, **DO NOT** cover the heater. **DO NOT** cover the heater with insulating material or a similar material under any circumstances.
4. **DO NOT** touch the heater when in use. The Herschel IR360 rises to very high temperatures in use. After the heater has been switched off the elements remain hot for a considerable time and the unit should not be touched within 30 minutes minimum. Please attach the supplied notice **CAUTION DO NOT TOUCH HEATER** to the wall near the heater or in a location where it can easily be seen.
5. **DO NOT** use the heater if the Ceramic panels or power cord are damaged. These must be replaced by the manufacturer, its service agent or similarly qualified persons in order to avoid a hazard.
6. **DO NOT** use the heater to ignite materials.
7. This heater must only be used for the heating of people or buildings in a commercial environment. The IR360 is not to be used by children or persons with reduced physical, sensory or mental capabilities, or lack of experience or knowledge, regardless of whether they have been given instruction or are under supervision. Children should be kept away and should not be left unsupervised around the unit.
8. All operators shall only switch on/off the appliance provided that it has been placed or installed in its intended normal operating position and they have been given supervision or instruction concerning use of the appliance in a safe way and understand the hazards involved. Children shall not plug in, switch on or regulate the appliance or perform user maintenance including cleaning.
9. **IMPORTANT:** Ensure supply voltage does not exceed 245 volts.

### SAVE THESE INSTRUCTIONS.

### ELECTRICAL INFORMATION:

Wiring to this unit must be connected in accordance with the relevant national electrical safety standards and must be earthed. The electrical supply to the unit should be provided by connecting to a circuit protected by a fuse or miniature circuit breaker suitable for the electrical rating of the unit and in accordance with Table 1.

Table 1		Herschel IR360 1950		Specifications
Supply	Rated Power	Current	Fuse	Hz
230V	1950 Watts	8.5A	16A	50/60

### Ensure supply voltage does not exceed 245V

The supply to the heater must be switched separately using a switch appropriately rated for the load and supply voltage. A switched fused spur may also be used on existing ring main circuits where the load current is less than

13A. In both cases, the switch must be double pole (disconnecting both live and neutral conductors) and form part of the fixed wiring in the installation in accordance with applicable wiring regulations. The spur fuse should also be rated in accordance with the appropriate table. In either case the switch used to operate the Herschel IR360 must be readily accessible.

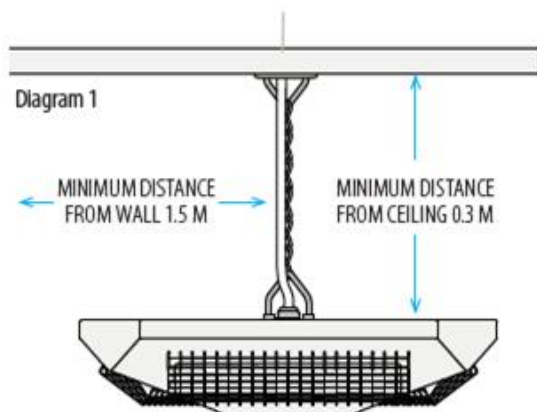
The cable used to connect to the existing wiring should be correctly rated solid core wiring cable. Please note that the use of flexible appliance cable with stranded conductors for permanent wiring (except for the final connection between a cable outlet and the fixed equipment) is prohibited by IEE wiring regulations.

Where applicable, these regulations preclude the use of a 13A plug and socket for powering the Herschel IR360. For the final connection to the Herschel IR360, only the flexible cable and cable entry supplied with the unit must be used. The cable must connect to the supply in a suitable enclosure or cable outlet designed for that purpose. The cable outlet current carrying capacity must be greater than the recommended fuse current rating given in Table 1.

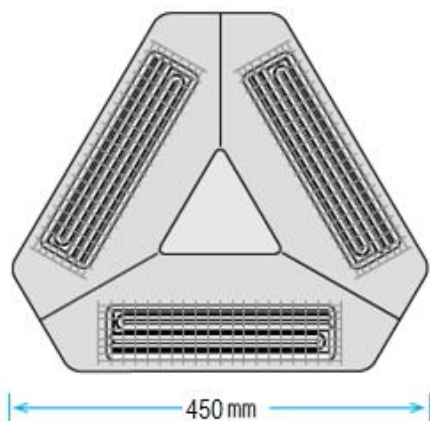
If the flexible cable is taken through a wall for connection purposes, suitable conduit or mechanical protection must be used through the wall to protect the cable from mechanical damage within the wall. The mounting position of the unit must ensure that any mechanical damage to the flexible cable is unlikely. Any exposed flexible cable is to hang down (not tied UP) and must have adequate clearance from the heater to prevent scorching or damaging the cable.

Colour coding used in the supplied mains cable: BROWN wire is to be connected to LIVE ('L'), the BLUE wire to NEUTRAL ('N') and the GREEN/YELLOW wire to EARTH ('E').

### MOUNTING POSITION:



WHEN MOUNTED THE HERSCHELIR SHOULD BE AT A HEIGHT THAT CAN NOT BE TOUCHED WHEN IN OPERATION,



The Herschel IR360 must be located in a position to allow proper and efficient use but one that ensures hot parts are not touched accidentally. The recommended installation height of the IR360 is 2.3m to 2.5m (90"-98") from the floor and under no circumstances is it to be installed at less than 2.3m from the floor. In all cases it should be installed at a height where it cannot be touched in operation. Consideration should be given to any temporary or occasional additions such as stages or platforms, and the height should be adjusted accordingly.

The Herschel IR360 should be firmly and permanently attached to the ceiling. A ceiling mounting plate is not supplied with this heater. A suitable mounting plate must be fitted having adequate strength to bear a load of 16kg (equal to 4 times the mass of the unit).

The Herschel IR360 should be installed with a minimum clearance of 300mm (11.8") between the top surface of the heater and the ceiling.

 CAUTION:

- Ensure mains power is OFF before commencing installation.
- The supplied mains cable must not contact the top surface of the heater during operation.
- Heater must not be located immediately below a socket outlet.
- Joists, beams and rafters shall not be cut or notched to install the appliance.
- Do not install the IR360 into a ceiling recess, nor adjacent to a heater that has been ceiling-recessed.
- The identification mark and model reference should be visible after installation.
- The IR360 must not be attached so as to face or be close to any combustible material (eg, wood or PVC cladding, fascia or soffit).
- The fixed wiring insulation coming into contact with parts with a temperature rise of greater than 50°C must be protected, for example, by sleeving having an appropriate temperature rating.

**EXTERIOR USE:**

The IR360 is not approved for exterior use.

**INITIAL USE:**

There may be an odour or vapour from the heater on initial use or if heater has not been used for an extended period. This is normal and is a result of a build up of dust.

**USER MAINTENANCE:**

The Herschel IR360 is maintenance free but to maintain appearance it should occasionally be cleaned all over with a soft dry cloth. No abrasive cloths or cleaners should be used and appliances such as pressure washers, steam cleaners, etc, should never be used. Cleaning should only be done when the unit is cold and switched off. All personnel cleaning and maintaining the unit must have suitable training and information to carry out the operation safely.

**WARRANTY:**



Register your product here:

<https://www.herschel-infrared.com/customer-service/warranty-registration/>

The Herschel IR360 is guaranteed against failure due to faulty materials or workmanship for five years from date of purchase, except the ceramic elements (guaranteed for 12 months). In the unlikely event of failure of the unit within this time, the unit must be returned to the supplier for repair or replacement. The guarantee is invalid if the correct installation instructions as given in this leaflet have not been adhered to. Refer to Herschel Infrared Ltd's warranty policy for full details.

See <https://www.herschel-infrared.com>.

Note your serial number for future reference: