



# Palaos electric vertical radiator

Models:

**1000RAD | 1500RAD | 2000RAD**

**EN**

**INSTALLATION & INSTRUCTION GUIDE**

Page 02

**FR**

**MANUEL D'INSTALLATION ET D'UTILISATION**

Page 36

**ES**

**MANUAL DE INSTALACIÓN Y USO**

Página 20

**PT**

**MANUAL DE INSTALAÇÃO E DE UTILIZAÇÃO**

Página 52





# **Palaos** electric vertical radiator

Models:

**1000RAD | 1500RAD | 2000RAD**

**EN**

Thank you for choosing this product. Please read this manual carefully before operation and retain for further use.

**ES**

Gracias por elegir este producto. Por favor, lea este manual cuidadosamente antes de utilizarlo y consérvelo para un uso posterior.

**FR**

Merci d'avoir choisi ce produit. Veuillez lire attentivement ce manuel avant de l'utiliser et le conserver pour référence ultérieure.

**PT**

Obrigado por ter escolhido este produto. Por favor leia atentamente este manual antes de o utilizar e guarde-o para referência futura.

## CONTENTS

1. Introduction .....	4
2. Features & functions .....	6
3. Installation .....	6
4. Control panel .....	10
5. Operation & programming .....	10
6. Maintenance and cleaning .....	14
7. European Directive (WEEE) 2012/19/UE .....	14
8. Guarantee .....	14
8.1 Terms and conditions .....	15
8.2 How to register .....	17
9. ERP Directive Commission Regulation (EU) 2015/1188 .....	18
10. Technical specification & data .....	19

## 1. INTRODUCTION

ROINTE Palaos electric vertical radiators are programmable with an exclusive temperature control panel, manufactured with high quality materials. The careful choice of components ensures efficiency, without affecting comfort.

With a unique design, ROINTE Palaos radiators have passed the highest quality controls, to meet the requirements of safety and efficiency. These digital electric radiators are designed for fixed installation.

This product is designed for domestic or residential use. It is recommended that the radiator be installed by an approved professional. Make sure that the radiator is correctly connected to a 230V network. The radiator is class II and has IPX4 electrical protection. Do not make any electrical connections without observing these safety regulations.

**Please read this manual carefully before installation and operation. Please keep this manual for future reference and your product guarantee conditions. It is important to retain this manual after installation.**

**IMPORTANT:** Please read this manual carefully and retain for further use. When using electrical appliances, precautions should be taken to reduce the risk of fire, electrical shock and injury to persons.

**IMPORTANT:** Any repairs that require opening the product must be done by ROINTE or authorized personnel. Please observe regulations when disposing of this product and its thermal fluid.

**IMPORTANT:** To disconnect the product from the main power supply, remove the plug from the socket. Do not pull the cable. If the power cable is damaged, it must be replaced by ROINTE or its authorized personnel in order to avoid any damage.

**IMPORTANT:** ROINTE declines all responsibility in case of any accident caused by incorrect use or not in accordance with this manual.

**IMPORTANT:** The manufacturing characteristics of the radiators distributed by ROINTE are patented.

**WARNING:** Servicing and product repairs should only be undertaken by ROINTE or its authorized personnel using only exact manufacturer-approved spare parts.

**WARNING:** The product is IPX4 rated and may be used in bathrooms, however not in the immediate vicinity of baths, showers, water connections, basins, swimming pools or other bodies of water. The product must never be installed where itself or the switches/control panel is within the reach of persons in water. Never use the product with wet hands. Do not place any water containers (glasses, vases etc.) on or near the product.

**WARNING:** Some parts of this product may become very hot and cause burns. Particular attention should be paid when children and vulnerable people are present.

**WARNING:** To avoid overheating, do not cover the product. This includes furniture, curtains, clothes and any other items. Do not insert any kind of object in the product or obstruct its air circulation. Obstructions should not be placed in front, above or directly next to the product. Do not use insecticides, paints, chemicals or aerosols on or near the product. Do not sit on the product. Failure to comply with the above will render your guarantee invalid.

**WARNING:** Children from the age of 3 and under the age of 8 may only switch the device on/off if it has been placed or installed in its normal intended operating position and they are supervised or instructed in the safe use of the device and understand the risks involved. Children from the age of 3 and under the age of 8 must not plug in, adjust or clean the appliance or perform maintenance operations.

## 2. FEATURES & FUNCTIONS

Not only are our radiators Lot20 compliant, we also include functions to help manage efficiency more effectively.

- **Open Windows**

This function can detect when windows are open, preventing energy waste. It is activated when the temperature drops rapidly in a short period of time (e.g. when a window in the room is opened).

When the Open Window status is detected, the display shows the word “Opn” (Open = Open) and the radiator switches to ANTI-FROST mode (7°C). It ends automatically when the product detects that the window has closed, or when the MODE button is pressed.



## 3. INSTALLATION

We recommend using a Rointe Trusted Supplier. Find your nearest one by calling us on **0203 321 5928** or using the locator at **[www.rointe.co.uk](http://www.rointe.co.uk)**.

**IMPORTANT:** Before installation, please locate the metal tag situated on the back of the product and note the product reference and serial number. You will need this information to register your guarantee.

**WARNING:** Do not install the product directly below a connection box or fixed socket outlet. Do not install or use outdoors. This product is designed for internal, upright wall-mounted installation using the installation kit and fixing items provided.

Using a unique design, ROINTE Palaos radiators utilise natural air convection to transfer heat. Cold air is introduced at the bottom of the radiator and raises its temperature by passing through the interior of the heating element and expelling at the top as warm air.

To achieve perfect performance and even heat distribution, the product should be installed with minimum distances from the floor and adjacent walls. See “Diagram 1”.

If the product is covered, this will interrupt air-flow and could cause overheating.

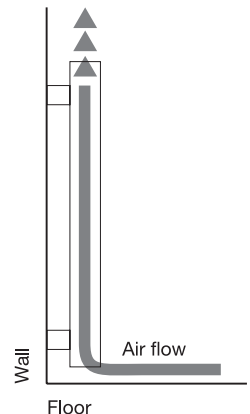
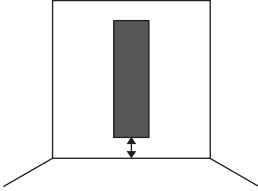
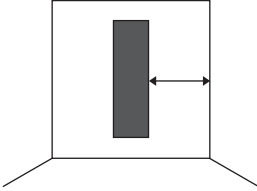
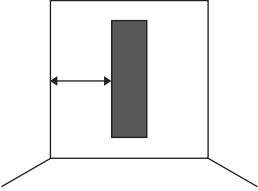


Diagram 1:

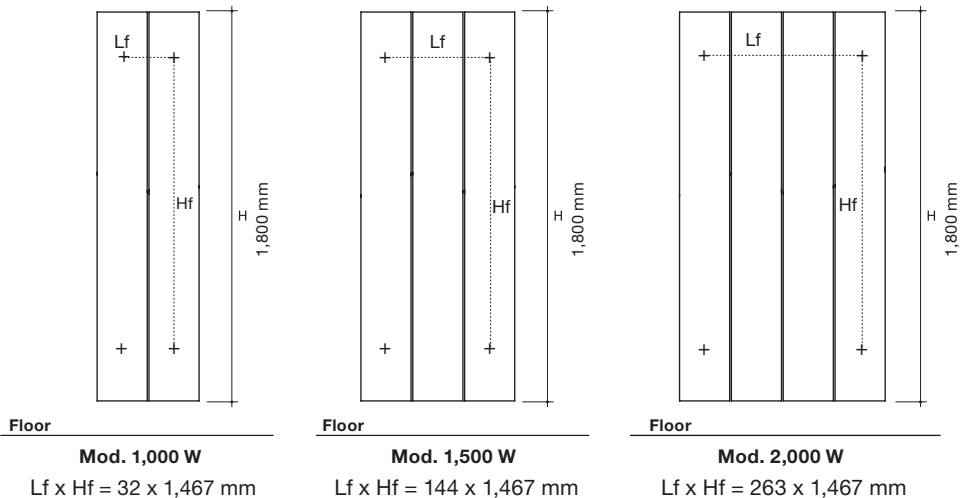
		
<p>1. Install the radiator at least 20 cm from the floor.</p>	<p>2. The minimum distance from the wall on the right must be at least 30 cm.</p>	<p>3. The minimum distance from the wall on the left must be at least 10 cm.</p>

Inside the product packaging, you will find an installation kit. This includes brackets, screws and fixing plugs for brick, cement or compacted stone walls.

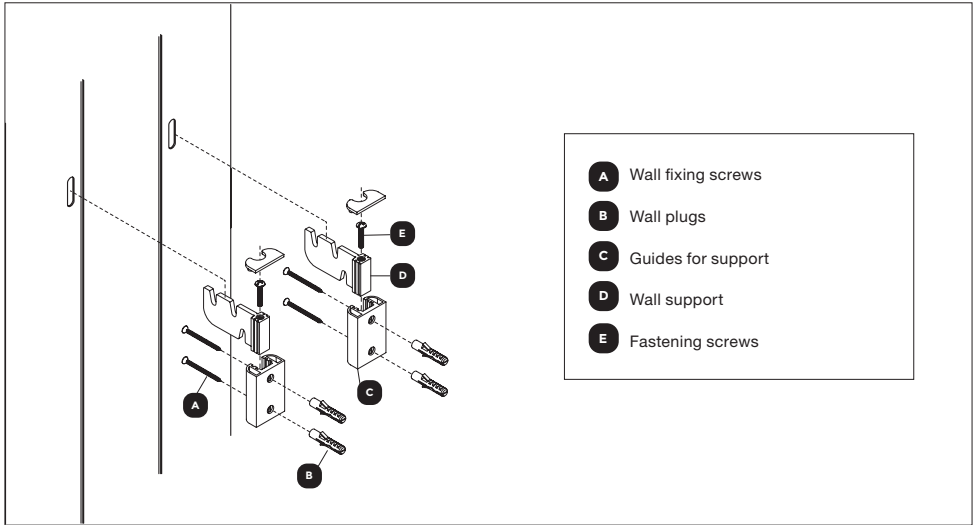
You will need a drill, rubber mallet, spirit level and a pencil to complete the installation.

**IMPORTANT:** Please follow these instructions carefully.

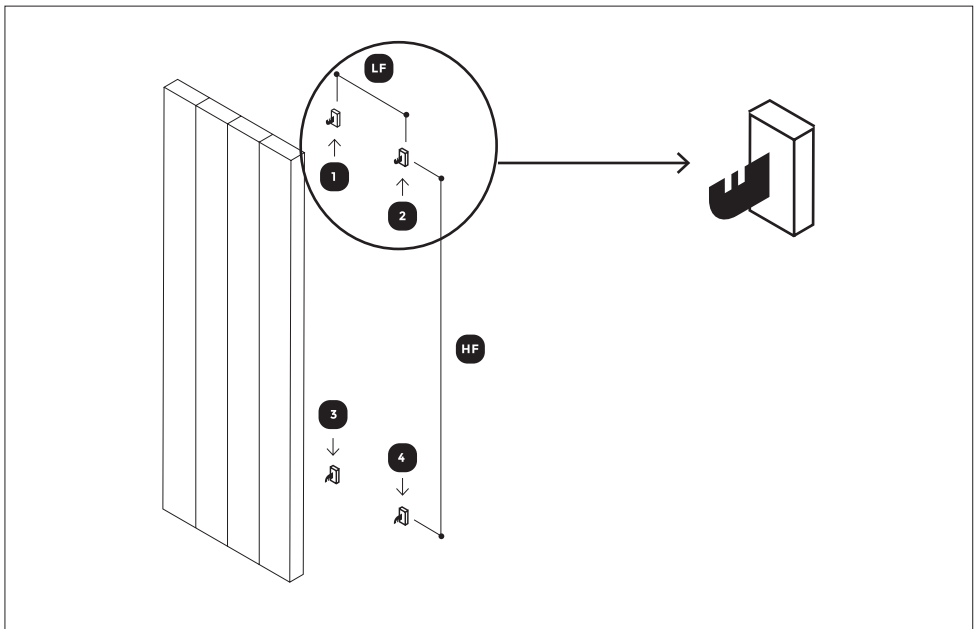
1. Drill the wall considering Lf and Hf as fixing holes according to the model purchased:



2. After inserting the rawl plugs, install the 4 bracket guides (C in Diagram 2) supplied.

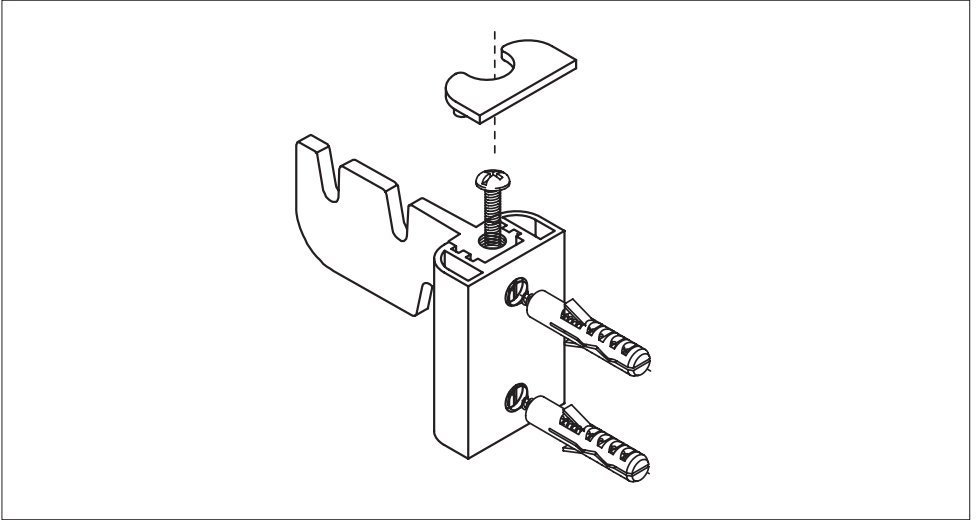


3. Insert the 2 upper wall brackets with the hook facing upwards and the lower wall brackets with the hook facing downwards.

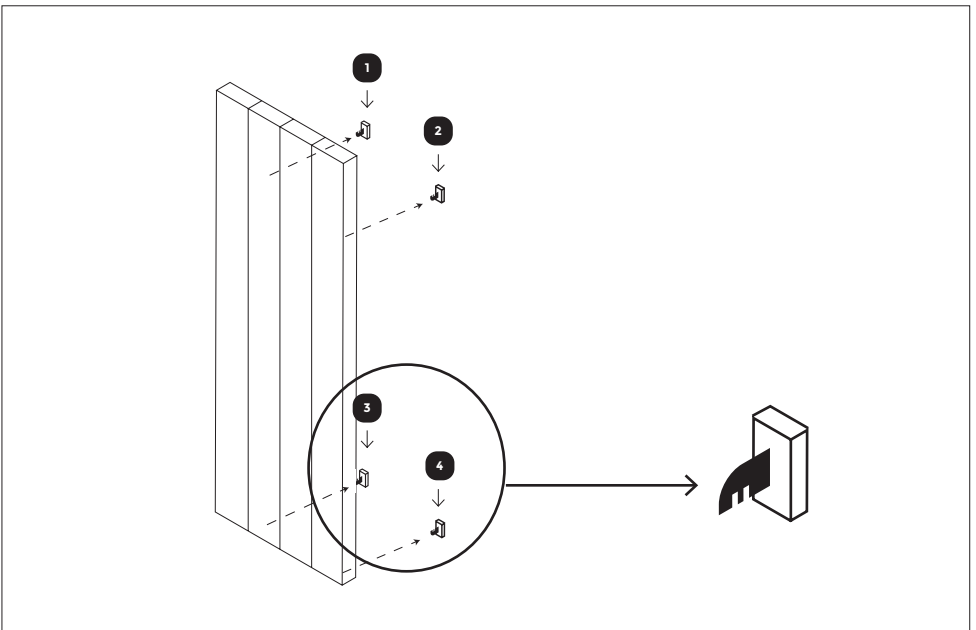




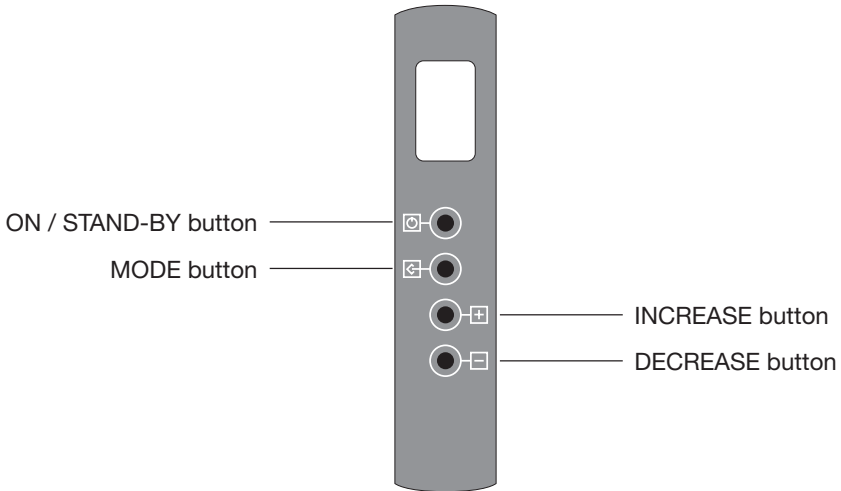
4. Secure the brackets with the fastening screw.



5. Mount the radiator on the 2 upper wall brackets. Then fit the radiator onto the 2 lower wall brackets and finish tightening the 4 fixing screws.





## 4. CONTROL PANEL



## 5. OPERATION & PROGRAMMING

### 5.1 ON / STAND-BY


When in STAND-BY mode the radiator does not heat up, but the display will show the current time. Pressing the  button for 2 seconds switches the product on or puts it into STAND-BY mode.


Press  for 2 seconds to switch the product on. When it is switched on for the first time, the time and day will flash. It's important to configure these correctly in the next step.



### 5.2 Setting hour / day

The time and day must be set when you first switch the product on, or when the product is disconnected and reconnected from the power supply.

It's also possible to configure this by pressing the  MODE button for 5 seconds when the product is in STAND-BY. The display will show the word "SET" and then suggests changing the TIME and DAY of the week.

The time is set by holding down the  INCREASE button until the current hour and minute value is reached.

Click the  MODE button to confirm the clock setting and continue to the day setting.

The display will show the word “DAT” and then suggests the day of the week. D1 corresponds to Monday, D2 to Tuesday and so on.

Use the **+** INCREASE button to set the current day of the week, e.g. if it's Thursday press the **+** button 4 times until you reach D4.

Press the **↔** MODE button to confirm the day and exit the setting. Once the time has been set, it will stop flashing.

If your product is in STAND-BY mode and you wish to turn it on, press the button for 2 seconds.



### 5.3 MANUAL modes

There are 4 Manual operating modes: Pilot Wire, Comfort, Night and Anti-Frost.

#### PILOT WIRE mode (only available on request)

The Pilot Wire is a special communication protocol that allows an external unit or control unit to control the radiator. It's shown on the display by an arrow pointing to the house symbol.

To activate Pilot Wire mode, press the **↔** MODE key once. The message “FP” will appear briefly along with an acoustic signal.

**IMPORTANT:** This function is not available unless requested, even if it is displayed on the menu.



#### **CONFORT mode**

Comfort mode is shown on the display by an arrow pointing to the sun symbol and the Comfort temperature on the screen.

To activate the Comfort mode, press the **↔** MODE key once. The message “CON” will appear briefly along with an acoustic signal.


You can set the desired temperature with the **+** INCREASE and **-** DECREASE buttons. The radiator remains on until the room reaches the selected temperature.



This selected temperature is used during the WEEKLY PROGRAMMING mode (section 5.4) as the temperature set for the periods in Comfort mode.



### NIGHT mode

Night mode is shown on the display by an arrow pointing to the moon symbol and the Night temperature on the screen.

To switch from Comfort mode to Night mode, press the  MODE button again. The word “RID” will appear briefly along with an acoustic signal.

You can set the desired temperature with the  INCREASE and  DECREASE buttons. This temperature does not depend on the Comfort temperature and is usually used to set a temperature below 19°C, which is ideal for a good nights sleep. This selected temperature is used during the WEEKLY PROGRAMMING mode (section 5.4.) as the set temperature for the periods in Night mode.



### ANTI-FROST mode

Anti-Frost mode is shown on the display by an arrow pointing to the snowflake symbol and 7°C temperature on the screen.


To switch from Night mode to Anti-Frost mode, press the  MODE button again.

In this operating mode, the user cannot regulate the temperature as it remains fixed at 7°C. This mode prevents the room temperature from falling below 7°C.



## 5.4 AUTOMATIC modes

In Automatic mode, the product regulates the temperature according to the daily programme created by the user, using the temperatures previously set in the Comfort and Night modes.

To switch from ANTI-FROST mode to PROGRAMMING mode, press the  MODE button again.

The word “PRO” will appear on the screen with an arrow pointing to the clock symbol (located at the bottom right of the screen). In the “clock” section of the screen, the current time of day is displayed, only if the time and day of the week have been set correctly when the product is first switched on (section 5.2).



The programming schedule is displayed on the left side of the screen by a succession of lines that representing 24 hours of the day. An arrow at the top of the screen indicates the operating mode (Comfort or Night).

The temperature selected for that mode is shown on the display.

To modify the temperatures of the Comfort or Night modes, access the corresponding mode and then use the **+** INCREASE and **-** DECREASE buttons to modify the temperature parameters.



### 5.4.1 WEEKLY PROGRAMMING modes

In order to proceed to the weekly programming, you must:

- Have established the correct time and day of the week (section 5.2)
- Be in PROGRAMMING mode (press the **↔** MODE button for 5 seconds until “PRO” appears on the screen. “FP” will appear first, then “PRO”).

In this mode, it is possible to program each day of the week independently.







1. Select the day with the **+** INCREASE and **-** DECREASE buttons (D1 = Monday, D2 = Tuesday, etc.). Press the **↔** MODE button to confirm. All the time bands for the day will then be displayed.
2. The lower screen shows the time interval that must be programmed for each hour. Press **+** INCREASE to activate the Comfort mode temperature OR the **-** DECREASE to activate the Night mode temperature for that hour. Comfort mode is indicated by a strip on the side bar. After each selection, the time interval will progressively advance (00h, 01h, 02h, 03h...).
3. The strips will only be seen for the time bands that are active in Comfort mode.
4. Once you have configured all hours of the day, press the **↔** MODE button once and then select the remaining days you wish to program e.g. D2 - D7.
5. Press the **↔** MODE button for 5 seconds until the word “END” appears to save.

#### Example

Set the Comfort mode on Fridays from 7am to 9am, and from 5pm to 9pm keeping the rest of the day in night mode:

- Press for **↔** 5 seconds until “PRO” appears.
- Choose Friday (D5) by pressing the **+** button 5 times and then press **↔** to

confirm.

- The display will show the time bands (00h, 01h, 02h, 03h etc.), starting from midnight onwards, which means that the first time slot is from midnight to one in the morning.
- In this case, as you want to activate Night mode until 7am, press  7 times to program 00h - 07h as Night mode. If Night mode has been set at 15°C, the radiator will be activated at 15°C from midnight to 7am.
- Now you can set the Comfort mode in the time band from 7am to 9am by pressing the  key twice. You will see this activation in the side strips. If Comfort mode has been set at 21°C, the radiator will be activated at 21°C from 7am until 9am.
- Then set Night mode until 5pm by pressing  button 8 times.
- Then set Comfort mode from 5pm to 9pm by pressing  4 times.
- Then set the remaining hours (9pm - midnight) in Night mode by pressing  3 times. To confirm your programming, press  for 5 seconds until "END" appears.

## 6. MAINTENANCE & CLEANING

The product does not require regular maintenance. We do, however, recommend that all parts of the product are kept clean (behind, underneath, along the upper fins etc.). Clean the aluminium with a soft, damp cloth and pH-neutral soap. Clean the control panel with a soft, dry cloth.

**WARNING:** Disconnect the product from the power supply and ensure product is at room temperature before any cleaning or maintenance. Do not use any abrasive product on the aluminium, such as (but not limited to) chemicals, rough cloths, hard bristled brushes or wire/steel wool.

## 7. EUROPEAN DIRECTIVE (WEEE) 2012/19/UE

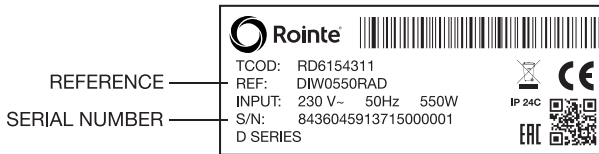
Under the European Directive 2012/19/UE on Waste Electrical and Electronic Equipment (WEEE), this product cannot be treated as household waste. Instead it must be separated to optimize the recovery and recycling of all of the components and materials to reduce the impact on human health and the environment. The symbol of the container crossed out over a horizontal line is marked on all of ROINTE products to remind the consumer of the obligation to separate them on disposal. The consumer should contact their local authority or council office, or original point of sale to learn about the correct method of disposal for this product.

## 8. GUARANTEE

There are certain terms and conditions on this ROINTE product. These conditions comply with all the rights construed within national legislation, as well as any additional rights and guarantees, which are offered by ROINTE.

Any incident you might detect with your product can be sorted by the product seller or by ROINTE. Please contact ROINTE by telephoning **0203 321 5929** or send an email to **support@rointe.co.uk**, through which we will instruct you on how to solve the incident.

**You will need to state the product reference and serial number (located on the metal tag with the product) and the type of incident when contacting ROINTE. In addition, please attach a copy of the product invoice and/or proof of purchase that indicates the date on which the product was sold.**



### 8.1 Terms & conditions

1. ROINTE guarantees there are no material defects of design or manufacture at the time of original purchase. ROINTE guarantees the aluminium body for 120 months and electric plus electronic components for 24 months for this product only, provided it has not been modified in any way. If you register your product online at [www.rointe.co.uk](http://www.rointe.co.uk) with a valid proof of purchase, such as an invoice, the guarantee period increases to 240 months for the aluminium body and 36 months for electric plus electronic components.

2. If during the guarantee period, the product does not work correctly under normal use, and any design, material or manufacturing defect is found, ROINTE will repair or substitute the product as it sees fit, in accordance with the terms and conditions as follows:

2.1. The guarantee is only applicable if the original guarantee is issued by the seller and when the said guarantee has been registered with ROINTE correctly, including product reference, series number (marked on the product's metal tag), purchase date and proof of purchase. The product guarantee can be registered on our website at [www.rointe.co.uk](http://www.rointe.co.uk) or can be sent via email to [support@rointe.co.uk](mailto:support@rointe.co.uk) within 90 days of installation. ROINTE reserves the right to reject the guarantee when this information has been removed or modified after the original product purchase.

2.2. The guarantee is only applicable if the product has been installed by a competent person in accordance with this installation manual and all current regulations at the time of installation.

2.3. The guarantee is only applicable to those cases that concern material, design and manufacturing defects, and under no circumstances covers damage to the product for the following reasons:

- i) Damage caused by negligence and / or misuse of the product, i.e. used for other purposes that are not construed as its normal use or for not respecting instructions of use and maintenance given by ROINTE, as well as incorrect installation or use of the product that may not comply with the current technical standards of safety.
- ii) Corrosion of any part of the product caused by direct exposure to salt-water. When the product is installed less than 200m from the coast, the guarantee period for damages caused by corrosion will be reduced by 50%.
- iii) Any unauthorised modification of the product or repairs of the product carried out by third parties or unauthorised persons, or opening of the product by third parties or unauthorised persons.
- iv) Any accidents that are deemed outside the control of ROINTE, such as (but not limited to): lightning, fires, floods, natural disasters, public disorder, atmospheric or geologic phenomena etc.
- v) Faults that result from incorrect installation. Guidance can be found from Rointe and in this installation manual. If in doubt, please contact ROINTE.

2.4. Any repairs or substitutions completed as part of this guarantee service do not allow extension periods or new periods of guarantee i.e. your guarantee will not be extended should a repair or substitution of this product take place.

2.5. Any repairs or substitutions covered under this guarantee must be parts that are functionally equivalent. The defective parts or parts removed or replaced shall become the property of ROINTE and should be returned as such.

2.6. The product must be installed in a way that allows access for ROINTE technicians or authorised persons should they need to gain access to the product for maintenance or repair. The user/client is responsible for any costs or organisation required to provide access to the products for repair and/or substitution.

3. The ROINTE Technical Support department will advise you if you need to purchase any parts not covered under this guarantee or out of guarantee.

4. The ROINTE guarantee will be invalid if the product: has been modified, repaired and/or manipulated in any way and/or by unauthorised persons. This guarantee will also be invalid if the product is not correctly installed.

5. This guarantee is not transferable and does not include claims due to damage by limescale or frost.

6. Proof of purchase will be required by ROINTE for any claim.

7. This guarantee does not affect your statutory rights.



8. This guarantee does not affect the buyer's legal rights stipulated in current national legislation, nor affects those rights against the distributor or installer that could come forth in compliance with the purchase contract.

9. In the absence of applicable national legislation, this guarantee shall prevail and may be construed as the buyer's only protection. ROINTE, its offices, employees, distributors and installers will not be held responsible for any accidental damage that emerges due to infringement of any rules implicitly related to this product.

## 8.2 How to register your product guarantee

It's important to register your ROINTE product as part of our guarantee service, in case you wish to make a claim. You can register your ROINTE product in the following ways:

### **WEBSITE**

1. Go to [www.rointe.com/uk/register-your-guarantee/](http://www.rointe.com/uk/register-your-guarantee/).
2. Login to your existing account or create a new account if you need to.
3. Click on "My products".
4. Enter your **product reference** (alphanumeric and in upper case).
5. Enter your **serial number** (26 digits located on the metal tag on your product and starts with 843).
6. Upload your **proof of purchase**, such as invoice in PDF, JPEG or PNG format. This is not mandatory but by doing so you ensure your guarantee period is accurate.
7. Click "Register". **Congratulations! Your product is now registered.**

### **EMAIL**

1. Send an email to [support@rointe.co.uk](mailto:support@rointe.co.uk) with the following information:
  - **Customer name**
  - **Address and postcode**
  - **Telephone number and email address**
  - **Product reference** (alphanumeric and in upper case)
  - **Serial number** (26 digits located on the metal tag on your product and starts with 843)
  - **Product purchase date and proof of purchase** (such as invoice)
2. Our Technical Support team will confirm your product registration and request any additional information needed via email.

### **POST**

1. Post the information listed in the EMAIL section above to:
  - **INDUSTRIAS ROYAL TERMIC, S.L. t/a Rointe UK, C/E Parcela 43, 30140, Santomera (SPAIN)**
2. Please ensure you obtain proof of posting.

**9. ERP DIRECTIVE (EU) 2015/1188**

ITEM		SYMBOL		UNIT		1000RAD		1500RAD		2000RAD	
<b>HEAT OUTPUT</b>											
Nominal heat output	$P_{nom}$	kW	1	1.5	2.0						
Minimal heat output	$P_{min}$	kW	n/a	n/a	n/a						
Maximum continuous heat output	$P_{max,c}$	kW	1	1.5	2.0						
<b>AUXILIARY ELECTRICITY CONSUMPTION</b>											
At nominal heat output	$e_{MAX}^{el}$	kW	1,000	1,500	2,000						
At minimum heat output	$e_{MIN}^{el}$	kW	1,000	1,500	2,000						
In standby mode	$e_{SB}^{el}$	kW	0.0012	0.0012	0.0012						
<b>TYPE OF HEAT OUTPUT/ROOM TEMPERATURE CONTROL (SELECT ONE)</b>											
Single-level heat output, no internal temperature control			–	–	–						
Two or more manual levels, without internal temperature control			–	–	–						
Internal temperature control by mechanical thermostat			–	–	–						
With electronic interior temperature control			–	–	–						
Electronic indoor temperature control and daily timer			–	–	–						
Electronic indoor temperature control and weekly timer			✓	✓	✓						
<b>OTHER CONTROL OPTIONS (MULTIPLE SELECTIONS POSSIBLE)</b>											
Interior temperature control with presence detection			–	–	–						
Interior temperature control with detection of open windows			✓	✓	✓						
With remote control option			–	–	–						
With adaptive start-up control			–	–	–						
With operating time limitation			–	–	–						
With black lamp sensor			–	–	–						
<b>SEASONAL SPACE HEATING ENERGY EFFICIENCY</b>	$\eta_s$	–	38.0%	38.0%	38.0%						

## 10. TECHNICAL SPEC

MODEL		1000RAD	1500RAD	2000RAD
No. Heating Elements	2	3	4	
<b>MATERIALS</b>				
High purity aluminium body	✓	✓	✓	✓
Control panel with mechanical keyboard	✓	✓	✓	✓
<b>DIMENSIONS, WEIGHTS &amp; FINISHES</b>				
Width (mm)	236	356	476	
Height (mm)	1.800	1.800	1.800	
Depth (mm)	72	72	72	
Installed Depth (mm)	110	110	110	
Weight (kg)	11	15.5	20.5	
Finish	White RAL 9016 / Black Sandblast S305I			
<b>ELECTRICAL CHARACTERISTICS</b>				
Nominal Power (W)	1.000	1.500	2.000	
Voltage (V)	230 ~V	230 ~V	230 ~V	
Current (A)	4.3	6.5	8.7	
Power per Element (W)	500	500	500	
<b>INSTALLATION &amp; SAFETY</b>				
Safety thermostat	✓	✓	✓	✓
Installation kit	✓	✓	✓	✓
Protection Grade	IPX4	IPX4	IPX4	IPX4

## CONTENIDO

1. Introducción .....	20
2. Características y funciones .....	22
3. Instalación .....	22
4. Panel de control .....	26
5. Operación y programación .....	26
6. Mantenimiento y limpieza .....	30
7. Normativa Europea 20120/19/UE .....	31
8. Garantía .....	31
8.1 Términos y condiciones .....	32
8.2 Registro de la garantía .....	33
9. ERP. Reglamento de la Comisión (EU) 2015/1188 .....	34
10. Especificaciones técnicas y datos .....	35

## 1. INTRODUCCIÓN

Los radiadores verticales eléctricos ROINTE Palaos son programables con un exclusivo panel de control de temperatura, fabricado con materiales de alta calidad. La cuidadosa elección de los componentes asegura la eficiencia, sin afectar al confort.

Con un diseño único, los radiadores de ROINTE Palaos han pasado los más altos controles de calidad, para cumplir con los requisitos de seguridad y eficiencia. Estos radiadores eléctricos digitales están diseñados para una instalación fija sobre la pared.

Este producto está diseñado para uso doméstico o residencial. Se recomienda que el radiador sea instalado por un profesional aprobado. Asegúrese de que el radiador esté correctamente conectado a una red de 230V. El radiador es de clase II y tiene una protección eléctrica IPX4. No realice ninguna conexión eléctrica sin observar estas normas de seguridad.

**Lea atentamente este manual antes de la instalación y el funcionamiento. Conserve este manual para futuras consultas y las condiciones de garantía del producto. Es muy importante conservar este manual después de su instalación.**

**IMPORTANTE:** Por favor, lea este manual cuidadosamente y consérvelo para su posterior uso. Al utilizar aparatos eléctricos, deben tomarse precauciones para reducir el riesgo de incendio, descarga eléctrica y lesiones.

**IMPORTANTE:** Cualquier reparación que requiera abrir el producto debe ser realizada por ROINTE o por personal autorizado. Por favor, respete las normas al desechar este producto y su fluido térmico.

**IMPORTANTE:** Para desconectar el producto de la fuente de alimentación principal, retire el enchufe de la toma. No tire del cable. Si el cable de alimentación está dañado, debe ser sustituido por ROINTE o por su personal autorizado para evitar cualquier daño.

**IMPORTANTE:** ROINTE declina toda responsabilidad en caso de cualquier accidente causado por un uso incorrecto o no conforme a este manual.

**IMPORTANTE:** Las características de fabricación de los radiadores distribuidos por ROINTE están patentadas.

**ADVERTENCIA:** El mantenimiento y las reparaciones del producto sólo deben ser realizadas por ROINTE o su personal autorizado, utilizando únicamente las piezas de repuesto exactas aprobadas por el fabricante.

**ADVERTENCIA:** El producto está clasificado como IPX4 y puede utilizarse en los baños, pero no en las inmediaciones de bañeras, duchas, conexiones de agua, lavabos u otras masas de agua. El producto no debe instalarse donde él mismo o el panel de control esté al alcance de las personas en el agua. Nunca utilice el producto con las manos mojadas. No coloque ningún recipiente de agua (vasos, jarrones, etc.) sobre o cerca del producto.

**ADVERTENCIA:** Algunas partes de este producto pueden ponerse muy calientes y causar quemaduras. Debe ponerse particularmente atención cuando los niños y las personas vulnerables estén presentes.

**ADVERTENCIA:** Para evitar sobrecalentamientos, no cubrir el aparato con ropa u otros enseres. No introduzca ningún tipo de objeto dentro de la entrada y salida de aire. No utilice insecticidas, pinturas o aerosoles sobre el producto. No se sienta en el producto ni coloque nada delante de él.

**ADVERTENCIA:** Los niños desde 3 años y menores de 8 años deben sólo encender/apagar el aparato siempre que éste haya sido colocado o instalado en su posición de funcionamiento normal prevista y que sean supervisados o hayan recibido instrucciones relativas al uso del aparato de una forma segura y entiendan los riesgos que el uso del aparato conlleva. Los niños desde 3 años y menores de 8 años no deben enchufar, regular o limpiar el aparato ni realizar operaciones de mantenimiento.

## 2. CARACTERÍSTICAS Y FUNCIONES

Nuestros radiadores son compatibles con la norma ECODISEÑO. Además, incluimos funciones para ayudar a gestionar la energía de manera más eficiente.

### • Ventanas Abiertas

Esta función puede detectar si las ventanas están abiertas y evitar un consumo excesivo de energía y la pérdida de calor de la estancia. La función se activa cuando la temperatura desciende rápidamente en un breve periodo de tiempo (por ejemplo, cuando se abre una ventana de la habitación).

Cuando se detecta el estado de ventana abierta, la pantalla muestra la palabra «Opn» (Open = Abierto) y el radiador pasa a modo ANTI-HIELO (7 °C).

Dicho estado termina automáticamente cuando el producto detecta el cierre de la ventana, o al presionar la tecla MODO.



## 3. INSTALACIÓN

Se recomienda que el radiador sea instalado por un profesional homologado.

**IMPORTANTE:** Antes de la instalación, por favor localice la etiqueta metálica situada en la parte posterior del producto y anote la referencia del producto y el número de serie. Necesitará esta información para registrar su garantía.

**ADVERTENCIA:** No instale el producto directamente debajo de una caja de conexiones o una toma de corriente fija. No lo instale ni lo utilice al aire libre. Este producto está diseñado para su instalación en interiores, en posición vertical en la pared, utilizando el kit de instalación y los elementos de fijación suministrados.

Los radiadores de ROINTE Palaos utilizan la convección natural del aire para transferir el calor. El aire frío se introduce en la parte inferior del radiador y eleva su temperatura pasando por el interior del elemento de calefacción y expulsándolo en la parte superior como aire caliente.

Para lograr un rendimiento perfecto y una distribución uniforme del calor, el producto debe instalarse a una distancia mínima del suelo y de las paredes adyacentes. Véase el “Diagrama 1”.

Si el producto está cubierto, esto interrumpirá el flujo de aire y podría causar un sobrecalentamiento.

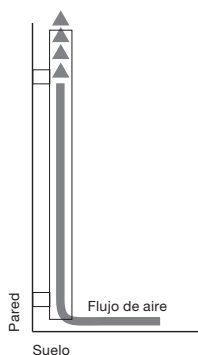
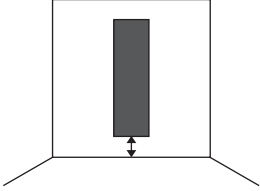
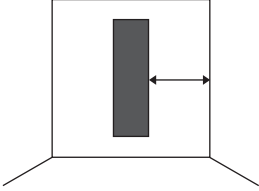
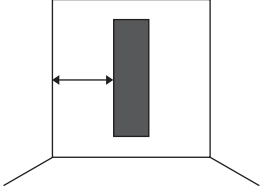


Diagrama 1:

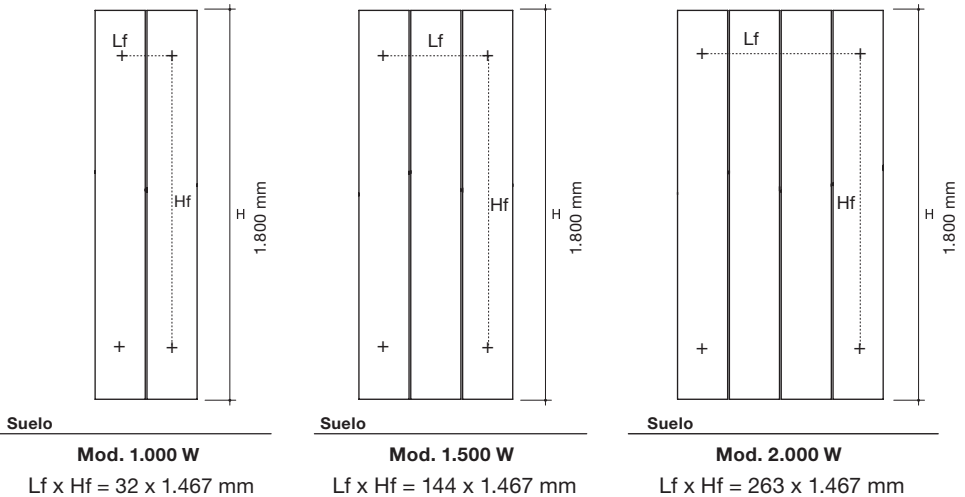
		
<p>1. Instale el radiador a 20 cm del suelo.</p>	<p>2. La distancia mínima desde la pared por la derecha debe ser de al menos 30 cm.</p>	<p>3. La distancia mínima desde la pared por la izquierda debe ser de al menos 10 cm.</p>

Dentro del embalaje del producto, encontrarás un kit de instalación. Este incluye soportes, tornillos y tacos de fijación para paredes de ladrillo, cemento o piedra compactada.

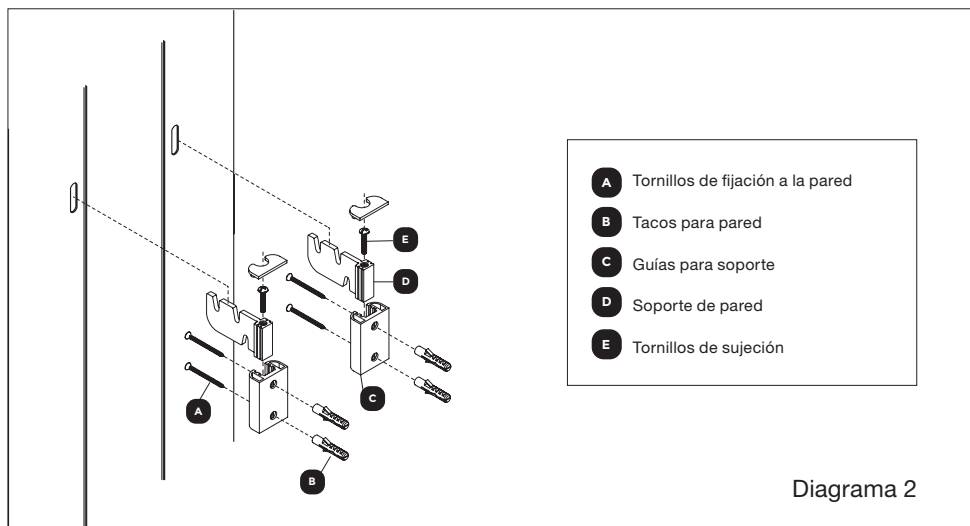
Necesitarás un taladro, un mazo de goma, un nivel de burbuja y un lápiz para completar la instalación.

**IMPORTANTE:** Por favor, siga estas instrucciones cuidadosamente.

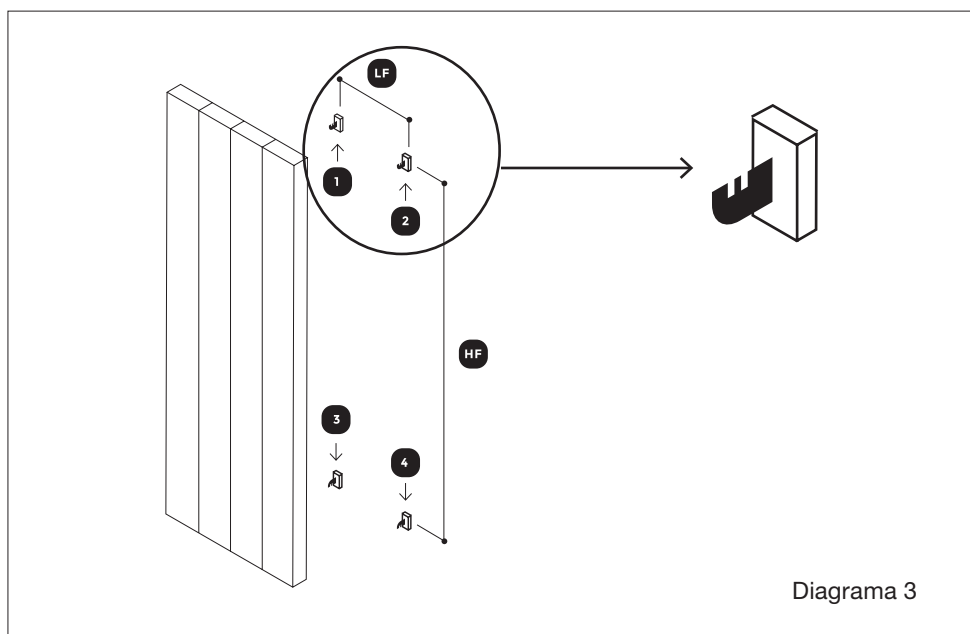
1. Taladre la pared considerando Lf y Hf como agujeros de fijación según el modelo adquirido:



2. Tras insertar los tacos, instale las 4 guías para soportes (C en Diagrama 2) suministradas.

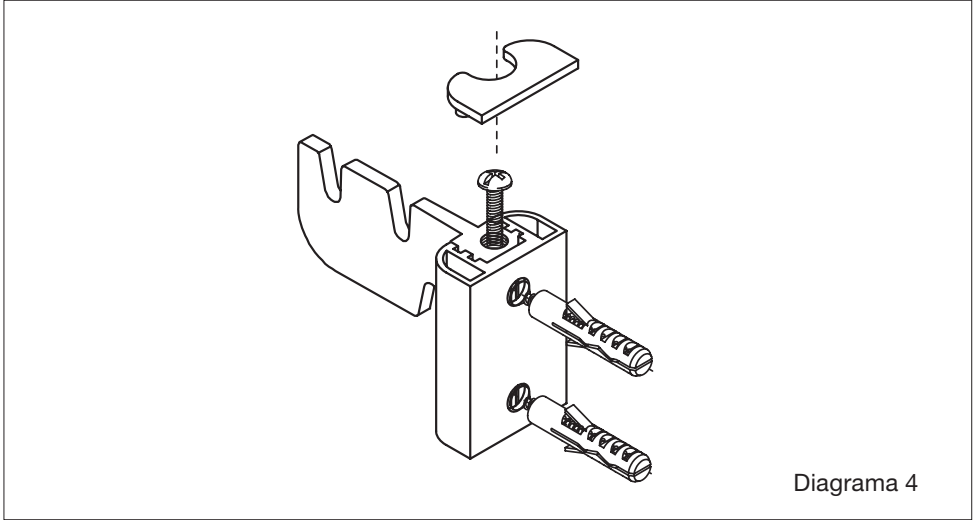


3. Inserte los 2 soportes de pared superiores con el garfio hacia arriba y los inferiores en sentido opuesto, con el garfio hacia abajo.

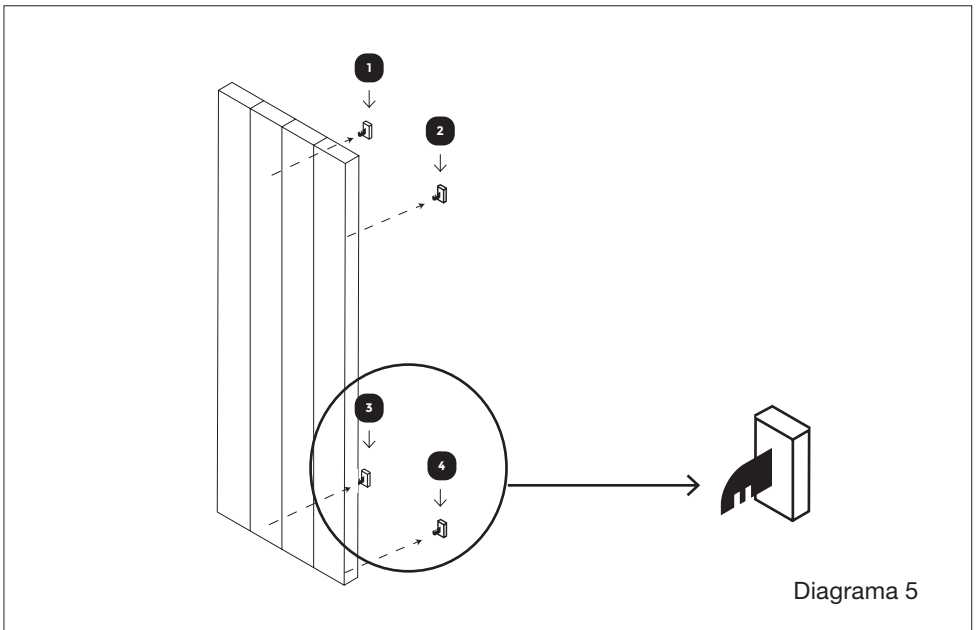




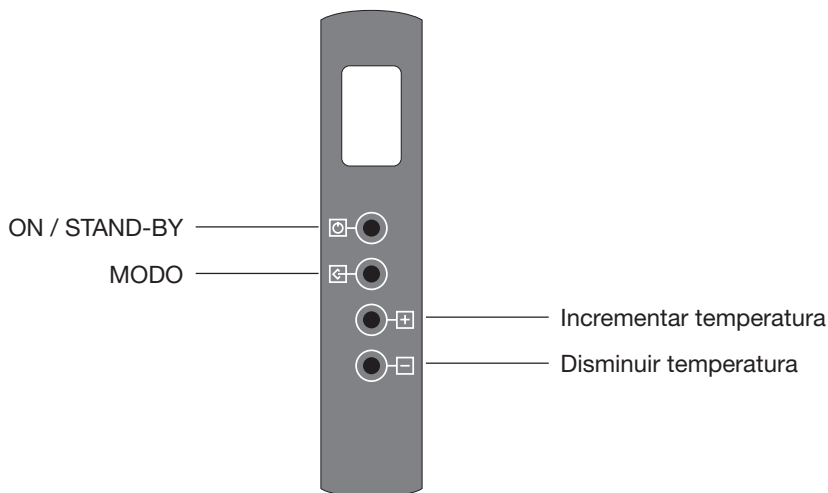
4. Fije los soportes mediante el tornillo de sujeción.



5. Monte el radiador sobre los 2 soportes de pared superiores. Posteriormente, encaje el producto en los 2 soportes de pared inferiores y termine de apretar los 4 tornillos de sujeción.




## 4. PANEL DE CONTROL



## 5. OPERACIÓN Y PROGRAMACIÓN


### 5.1 Funcionamiento y stand-by

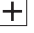
En el modo STAND-BY, el radiador no calienta. La pantalla muestra la hora actual en la sección de reloj. Para encender el producto, pulsaremos durante 2 segundos el botón STAND-BY .


Al encender el producto por primera vez, la hora y el día parpadearán. Estos valores son muy importantes para el funcionamiento y la programación del producto por lo que deberemos proceder a su configuración.




### 5.2 Configuración de la hora y la fecha


El horario y el día de la semana deben configurarse durante el primer encendido. También es posible acceder a la configuración de estos parámetros pulsando durante 5 segundos el botón MODO  cuando el producto se encuentra en modo STAND-BY. La pantalla muestra la palabra «SET» momentáneamente y sugiere cambiar la HORA y el DÍA.


La hora se regula manteniendo pulsado el botón MÁS  hasta alcanzar el valor de hora y minutos actual.

Presione la tecla MODO  para confirmar la configuración del reloj y continuar con la configuración del día de la semana.

La pantalla muestra la palabra «DAT» momentáneamente y sugiere el día de la semana, donde D1 corresponde a lunes, D2 a martes...

Utilice la tecla MÁS  para configurar el día de la semana actual (por ejemplo, por jueves, presione 4 veces la tecla MÁS, hasta llegar a D4).

A continuación, utilice la tecla MODO  para confirmar y salir de la programación del reloj. Una vez regulada la hora, esta se muestra de forma fija (no intermitente) en la pantalla.

Para encender el producto, pulsaremos durante 2 segundos el botón STAND-BY .



### 5.3 Modos de funcionamiento MANUAL

Hay 4 modos de funcionamiento manual: Hilo Piloto, Confort, Noche y Anti-Hielo.

#### Modo Hilo Piloto (disponible bajo demanda)

El Hilo Piloto es un protocolo de comunicación especial que permite que una unidad exterior o centralita controle el radiador.


Para activar el HILO PILOTO, presione una vez la tecla MODO . Aparecerá brevemente el mensaje «FP» junto con una señal acústica.



El programa se muestra en la pantalla mediante una flecha indicativa hacia el símbolo de la casa.

**IMPORTANTE:** Esta función no está disponible en este producto aunque se visualice en el menú.



### **Modo confort**

Para activar el modo CONFORT, presione la tecla MODO . Aparecerá brevemente el mensaje «CON» (Confort) junto con una señal acústica.

En el modo CONFORT, es posible regular la temperatura deseada con las teclas MÁS  y MENOS . El radiador permanece encendido hasta que la estancia alcance la temperatura seleccionada.



El programa CONFORT se muestra en la pantalla mediante una flecha indicativa hacia el símbolo del sol, mostrando la temperatura de confort en pantalla.

La temperatura seleccionada se utilizará durante el modo PROGRAMACIÓN SEMANAL (Apartado 5.4) como temperatura establecida para los periodos en modo Confort.



### **Modo noche**

Para pasar del modo CONFORT al modo NOCHE, presione de nuevo la tecla MODO . Aparecerá brevemente la palabra «RID» junto con una señal acústica.


En este modo, es posible regular la temperatura preferida con las teclas MÁS  y MENOS .

Esta temperatura no depende de la temperatura de confort y suele utilizarse para establecer una temperatura inferior a los 19°C, ideal para el descanso nocturno. El programa de reducción nocturno se indica mediante una flecha dirigida hacia el símbolo de la luna y cuando la pantalla mostrando la temperatura del modo noche en pantalla.

La temperatura seleccionada se utilizará durante el modo PROGRAMACIÓN SEMANAL (Apartado 5.4) como temperatura establecida para los periodos en modo Noche.



### **Modo anti-hielo**

Para pasar del modo NOCHE al modo ANTI-HIELO, presione una vez más la tecla MODO .

En este modo, el usuario no puede regular la temperatura, sino que permanece fija a 7 °C. En el modo anti-hielo, la flecha indica el símbolo de copo de nieve y en la pantalla se visualizan 7 °C.

Este modo impide que la temperatura ambiente de la estancia descienda por debajo de los 7 °C.



## 5.4 Modo de funcionamiento AUTOMÁTICO



En este modo de funcionamiento, el producto regula la temperatura según el programa diario creado por el usuario, utilizando las temperaturas establecidas anteriormente en los modos de confort y modo noche.

Para pasar del modo ANTI-HIELO al modo PROGRAMACIÓN presione de nuevo la tecla MODO .

En la pantalla aparecerá la palabra «PRO». La función está indicada por la flecha dirigida hacia el símbolo del reloj (situado en la parte inferior derecha de la pantalla). En la sección «reloj» de la pantalla, la hora del día actual se visualiza solo si se han configurado la hora y el día de la semana correctamente al encender el producto por primera vez (Apartado 5.2).

El desarrollo de la programación se visualiza en la parte izquierda de la pantalla, mediante una sucesión de líneas que representan las 24 horas del día. Una flecha en la parte alta de la pantalla indica el modo de funcionamiento (Confort o Noche).

La temperatura seleccionada para ese modo se muestra.

Para modificar las temperaturas de los modos confort o noche, acceda al correspondiente modo (Apartado 5.2) y luego utilice las teclas MÁS  y MENOS  para modificar los parámetros de temperatura.

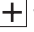


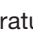



### 5.4.1 Programación semanal

Para proceder a la programación semanal, es necesario:

- Haber establecido la hora y el día de la semana (Apartado 5.2).
- Estar en modo PROGRAMACIÓN.

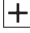

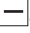
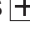

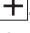
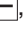

En este modo, es posible programar cada día de la semana de manera independiente.

1. Seleccione el día con las teclas MÁS  y MENOS  (d1 = lunes, d2 = martes, etc.). A la izquierda de la pantalla se visualizarán las franjas horarias del día.
2. En la zona inferior de la pantalla se muestra el intervalo de tiempo a programar (00h, 01h, 02h, 03h... hasta 24h). Un intervalo de tiempo corresponde a una hora. Presione MÁS  para activar la temperatura del modo Confort y MENOS  para utilizar la temperatura del modo Noche en esa hora. En la barra lateral el modo Confort se indica mediante una franja encendida y el modo Noche mediante una franja apagada. Tras cada selección, el intervalo de tiempo avanzará de manera progresiva (00h, 01h, 02h, 03h... hasta 24h).

3. Solo se mostrarán marcas encendidas en las franjas horarias que estén activo el modo confort.
4. Una vez finalicemos con la configuración de todas las horas de un día, presionaremos una vez la tecla MODO y seleccionaremos los siguientes días d2 -d7.
5. Para finalizar, presione la tecla MODO  durante 5 segundos hasta que aparezca la palabra «END».

## EJEMPLO

Si por ejemplo deseamos establecer el modo confort el viernes desde las 7h hasta las 9h, y desde las 17h hasta las 21h manteniendo el resto del día en modo noche deberemos:

- Elegir el día que se desea programar (en este caso viernes = d5 -> presione 5 veces la tecla MÁS ) y luego presione la tecla MODO  para confirmar.
- La pantalla mostrará las franjas horarias (00h, 01h, 02h, 03h ...). Las franjas horarias comienzan desde la medianoche hacia adelante, lo que significa que el primer intervalo horario es desde la medianoche hasta la una de la mañana.
- Para este caso, como deseamos activar el modo nocturno hasta las 7h de la mañana, deberemos presionar 7 veces la tecla MENOS . Si se fija el modo noche, por ejemplo en 18 °C, el radiador se activará a 18 °C desde la medianoche hasta las 7 de la mañana.
- Ahora, configuraremos el modo confort en la franja horaria que va desde las 7h hasta las 9h de la mañana, presionando dos veces la tecla MÁS , hasta las 9h. Las franjas en modo de confort se indican mediante una franja lateral encendida.
- Desde las 9h hasta las 17h, presione la tecla MENOS . Desde las 17h hasta las 21h, la tecla MÁS . A partir de las 21h hasta la medianoche, la tecla MENOS , hasta que termine la configuración del día.
- Recuerde que solo se verán marcas en las franjas horarias que estén establecidas en modo confort.
- Para confirmar toda la programación semanal, presione la tecla MODO  durante al menos 5 segundos hasta que aparezca la palabra «END».

## 6. MANTENIMIENTO Y LIMPIEZA

El producto no necesita ningún tipo de mantenimiento. Recomendamos la limpieza el producto (parte trasera, inferior del producto, aletas superiores, etc.). No utilice ningún producto abrasivo en el aluminio, límpielo con un paño húmedo y jabón pH neutro y la pantalla con un paño seco. Antes de efectuar cualquier operación de limpieza, asegúrese de que el radiador está apagado y a temperatura ambiente.

**ADVERTENCIA:** Desconecte el producto de la fuente de alimentación y asegúrese de que el producto esté a temperatura ambiente antes de cualquier limpieza o mantenimiento. No utilice ningún producto abrasivo en el aluminio, como (pero no limitado a) productos químicos, paños ásperos, cepillos de cerdas duras o lana de alambre/acero.

## 7. NORMATIVA EUROPEA 2012/19/UE







En base a la normativa europea 2012/19/UE de Residuos de Aparatos Eléctricos y Electrónicos (RAEE), dichos aparatos no pueden ser arrojados en los contenedores municipales habituales; tienen que ser recogidos selectivamente para optimizar la recuperación y reciclado de los componentes y materiales que los constituyen, y reducir el impacto en la salud humana y el medio ambiente. El símbolo del cubo de basura tachado sobre barra horizontal se marca sobre todos los productos Rointe para recordar al consumidor la obligación de separarlos para la recogida selectiva. El consumidor debe contactar con la autoridad local o con el vendedor para informarse en relación a la correcta eliminación de su aparato.

## 8. GARANTÍA

En este apartado, se describen las condiciones de garantía que dispone el comprador al haber adquirido un nuevo radiador de la marca Rointe. Estas condiciones reúnen todos los derechos que tiene el comprador de acuerdo con la legislación nacional vigente, así como la garantía y los derechos adicionales que ofrece la marca Rointe.

Cualquier incidencia que detecte en su producto Rointe, puede ser atendida por el vendedor del producto o de una forma más ágil a través del propio fabricante. Rointe, pone a su disposición un **TELÉFONO DE ASISTENCIA TÉCNICA 968 864 363** donde le indicaremos los pasos a seguir para solucionar dicha incidencia.

**Necesitará la referencia de producto (ubicada en la etiqueta de características del producto), número de serie, fecha de compra y la naturaleza del fallo al contactar con nosotros para mejorar la garantía. Además, adjuntar una copia de la factura de compra del producto.**

			
REFERENCIA	TCOD: RD6154311		
	REF: DIW0550RAD		
	INPUT: 230 V~ 50Hz 550W		
NÚMERO DE SERIE	S/N: 8436045913715000001		
	D SERIES		
			  IP 24C
			 

## 8.1 Términos y condiciones

1. Rointe garantiza que este producto no presenta ningún defecto material, de diseño o de fabricación en el momento de su adquisición original y durante un periodo de 24 meses (2 años) en componentes eléctricos y electrónicos y 120 meses (10 años) en el cuerpo de aluminio.

2. Si durante el periodo de garantía el radiador no funciona correctamente con un uso normal, y sea fallo de diseño, de los materiales o de fabricación, Rointe, reparará o sustituirá el radiador, según estime oportuno, según términos y condiciones establecidos a continuación:

2.1. La garantía sólo se facilita si presenta el certificado de garantía original emitido por el establecimiento vendedor y cuando la citada garantía este correctamente rellena incluyendo referencia de producto, número de serie (reflejado en la etiqueta de características técnicas del producto), fecha de compra y sello del vendedor.

Rointe se reserva el derecho de rechazar el servicio de garantía cuando esta información haya sido retirada o rectificadas tras la compra original del producto.

2.2. La garantía tan solo se aplica a los casos relativos a defectos de material, diseño o defecto de fabricación, en ningún caso cubre daños del radiador por los siguientes motivos:

a) Uso incorrecto del producto, para otros fines que los normales o por no respetar las instrucciones de uso y mantenimiento dadas por Rointe, así como la instalación o el uso del producto de alguna forma que incumpla los estándares técnicos de seguridad vigentes. Reparaciones no autorizadas realizadas por personal no autorizado o la apertura del radiador por personas no autorizadas. Accidentes imprevistos fuera del control de Rointe, como rayos, incendios, inundaciones, desordenes públicos, etc.

b) Las reparaciones o sustituciones que contemplan esta garantía no permiten la extensión ni nuevo comienzo del período de garantía.

c) Las reparaciones o reemplazos cubiertos en esta garantía se deben hacer con unidades funcionalmente equivalentes. Las piezas defectuosas o piezas retiradas o reemplazadas pasarán a ser propiedad de Rointe.

3. El servicio técnico de Rointe le podrá asesorar si necesita comprar algún repuesto fuera del periodo de garantía.

4. Esta garantía no afecta a los derechos legales del comprador previstos por la legislación nacional vigente, ni los derechos del comprador contra los del distribuidor o instalador que surjan a partir del contrato de compraventa.

5. En ausencia de una legislación nacional vigente aplicable, esta garantía será la única protección del comprador. Rointe, sus oficinas y distribuidores e instaladores no se responsabilizarán de ningún tipo de daños, tanto fortuitos como accidentales, derivados de infringir cualquier norma implícita relacionada con este producto.



## 8.2 Registro de garantía

Es importante que registre su producto ROINTE como parte de nuestro servicio de garantía, en caso de que desee hacer una reclamación. Puede registrar su producto ROINTE de las siguientes maneras:

### **WEB**

6. Ve a [www.rointe.com/compania/registra-tu-garantia/](http://www.rointe.com/compania/registra-tu-garantia/).
7. Ingresa a tu cuenta existente o crea una nueva cuenta si es necesario.
8. Haga clic en “Mis productos”.
9. Introduzca la referencia de su producto (alfanumérica y en mayúsculas).
10. Introduce tu número de serie (26 dígitos situados en la etiqueta metálica de tu producto y comienza con 843).
11. Sube tu prueba de compra, como la factura en formato PDF, JPEG o PNG. Esto no es obligatorio, pero al aseguras de que tu período de garantía es exacto.
12. Haga clic en “Registro”. ¡Felicidades! Su producto ya está registrado.

### **CORREO ELECTRÓNICO**

1. Envía un correo electrónico a [sat@rointe.com](mailto:sat@rointe.com) con la siguiente información:
  - **Nombre del cliente**
  - **Dirección y código postal**
  - **Número de teléfono y dirección de correo electrónico**
  - **Referencia del producto** (alfanumérica y en mayúsculas)
  - **Número de serie** (26 dígitos situados en la etiqueta metálica de su producto y comienza con 843)
  - **La fecha de compra del producto y el comprobante de compra** (como la factura)
2. Nuestro equipo de soporte técnico confirmará el registro de su producto y solicitará cualquier información adicional necesaria por correo electrónico.

### **POSTAL**

1. Envíe la información que figura en la sección de CORREO ELECTRÓNICO de arriba a:
  - **INDUSTRIAS ROYAL TERMIC, S.L. - ROINTE, C/E Parcela 43, 30140, Santomera (SPAIN)**
2. Por favor, asegúrese de obtener una prueba de envío.

**9. ERP: REGLAMENTO DE LA COMISIÓN (EU) 2015/1188**

PARTIDA		SÍMBOLO	UNIDAD	1000RAD	1500RAD	2000RAD
<b>POTENCIA CALORÍFICA</b>						
Potencia calorífica nominal	$P_{nom}$	kW	1	1,5	2,0	
Potencia calorífica mínima (indicativa)	$P_{min}$	kW	n/a	n/a	n/a	
Potencia calorífica máxima continuada	$P_{max,c}$	kW	1	1,5	2,0	
<b>CONSUMO AUXILIAR DE ELECTRICIDAD</b>						
A potencia calorífica nominal	$e_{l,MAX}$	kW	1,000	1,500	2,000	
A potencia calorífica mínima	$e_{l,MIN}$	kW	1,000	1,500	2,000	
En modo de espera	$e_{l,SB}$	kW	0,0012	0,0012	0,0012	
<b>TIPO DE CONTROL DE POTENCIA CALORÍFICA / DE TEMPERATURA INTERIOR (SELECCIONA UNO)</b>						
Potencia calorífica de un solo nivel, sin control de temperatura interior			–	–	–	
Dos o más niveles manuales, sin control de temperatura interior			–	–	–	
Con control de temperatura interior mediante termostato mecánico			–	–	–	
Con control electrónico de temperatura interior			–	–	–	
Control electrónico de temperatura interior y temporizador diario			–	–	–	
Control electrónico de temperatura interior y temporizador semanal			✓	✓	✓	
<b>OTRAS OPCIONES DE CONTROL (PUEDEN SELECCIONARSE VARIAS)</b>						
Control de temperatura interior con detección de presencia			–	–	–	
Control de temperatura interior con detección de ventanas abiertas			✓	✓	✓	
Con opción de control a distancia			–	–	–	
Con control de puesta en marcha adaptable			–	–	–	
Con limitación de tiempo de funcionamiento			–	–	–	
Con sensor de lámpara negra			–	–	–	
<b>RENDIMIENTO DE EFICIENCIA ENERGÉTICA ESTACIONAL</b>	$\eta_s$	–	<b>38,0%</b>	<b>38,0%</b>	<b>38,0%</b>	<b>38,0%</b>

## 10. ESPECIFICACIONES TÉCNICAS Y DATOS

MODELO	1000RAD	1500RAD	2000RAD
Nº de elementos	2	3	4
<b>MATERIALES</b>			
Cuerpo de aluminio de alta pureza	✓	✓	✓
Panel de control con teclado mecánico	✓	✓	✓
<b>DIMENSIONES, PESOS Y ACABADOS</b>			
Anchura (mm)	236	356	476
Altura (mm)	1.800	1.800	1.800
Fondo (mm)	72	72	72
Fondo instalado (mm)	110	110	110
Peso (kg)	11	15,5	20,5
Acabado	White RAL 9016 / Black Sandblast S305I		
<b>CAPACIDADES ELÉCTRICAS</b>			
Potencia nominal (W)	1.000	1.500	2.000
Voltaje (V)	230 ~V	230 ~V	230 ~V
Corriente (A)	4,3	6,5	8,7
Potencia por elemento (W)	500	500	500
<b>INSTALACIÓN Y SEGURIDAD</b>			
Termostato de seguridad	✓	✓	✓
Kit de instalación	✓	✓	✓
Grado de protección-	IPX4	IPX4	IPX4

## CONTENU

1. Introduction .....	36
2. Caractéristiques et fonctions .....	38
3. Installation .....	38
4. Panneau de contrôle .....	42
5. Fonctionnement et programmation .....	42
6. Entretien et nettoyage .....	46
7. Règlement européen 20120/19/UE .....	47
8. Garantie .....	47
8.1 Conditions .....	48
8.2 Enregistrement de la garantie .....	49
9. ERP. Règlement de la Commission (EU) 2015/1188 .....	50
10. Spécifications et données techniques .....	51

## 1. INTRODUCTION

Les radiateurs électriques verticaux ROINTE Palaos sont programmables grâce à un panneau de contrôle de température exclusif, fabriqué avec des matériaux de haute qualité. Le choix minutieux des composants garantit l'efficacité, sans affecter le confort.

D'une conception unique, les radiateurs ROINTE Palaos ont subi les contrôles de qualité les plus stricts, afin de répondre aux exigences de sécurité et d'efficacité. Ces radiateurs électriques numériques sont conçus pour une installation fixe au mur.

Ce produit est conçu pour un usage domestique ou résidentiel. Il est recommandé que l'installation du radiateur soit effectuée par un professionnel agréé. Assurez-vous que le radiateur est correctement connecté à un réseau 230V. Le radiateur est de classe II et a une protection électrique IPX4. N'effectuez aucun branchement électrique sans respecter ces règles de sécurité.

**Lisez attentivement ce manuel avant l'installation et l'utilisation. Conservez ce manuel pour toute référence future et les conditions de garantie du produit. Il est très important de conserver ce manuel après l'installation.**

**IMPORTANT:** Veuillez lire attentivement ce manuel et le conserver pour une utilisation ultérieure. Lors de l'utilisation d'appareils électriques, des précautions doivent être prises pour réduire le risque d'incendie, de choc électrique et de blessure.

**IMPORTANT:** Toute réparation nécessitant l'ouverture du produit doit être effectuée par ROINTE ou par un personnel autorisé. Veuillez respecter les règles lors de l'élimination de ce produit et de son fluide thermique.

**IMPORTANT:** Pour déconnecter le produit de l'alimentation électrique principale, retirez la fiche de la prise. Ne tirez pas sur le cordon. Si le cordon d'alimentation est endommagé, il doit être remplacé par ROINTE ou son personnel autorisé pour éviter tout dommage.

**IMPORTANT:** ROINTE décline toute responsabilité en cas d'accident causé par une utilisation incorrecte ou non conforme à ce manuel.

**IMPORTANT:** Les caractéristiques de fabrication des radiateurs distribués par ROINTE sont brevetées.

**AVERTISSEMENT:** L'entretien et les réparations du produit doivent être effectués uniquement par ROINTE ou son personnel autorisé, en utilisant uniquement les pièces de rechange exactes approuvées par le fabricant.

**AVERTISSEMENT:** Le produit est classé IPX4 et peut être utilisé dans les salles de bains, mais pas à proximité des baignoires, douches, raccords d'eau, éviers ou autres plans d'eau. Le produit ne doit pas être installé à un endroit où lui-même ou le panneau de commande est à la portée des personnes se trouvant dans l'eau. N'utilisez jamais le produit avec les mains mouillées. Ne placez pas de récipients d'eau (verres, vases, etc.) sur le produit ou à proximité de celui-ci.

**AVERTISSEMENT:** Certaines parties de ce produit peuvent devenir très chaudes et provoquer des brûlures. Une attention particulière doit être accordée à la présence d'enfants et de personnes vulnérables.

**AVERTISSEMENT:** Pour éviter toute surchauffe, ne couvrez pas l'appareil avec des vêtements ou d'autres articles. N'insérez aucun objet dans l'entrée et la sortie d'air. N'utilisez pas d'insecticides, de peintures ou de sprays sur le produit. Ne vous asseyez pas sur le produit et ne placez rien devant lui.

**AVERTISSEMENT:** Les enfants de 3 ans et MOINS de 8 ans ne doivent allumer/éteindre l'appareil que s'il a été placé ou installé dans sa position normale de fonctionnement prévue et s'ils sont supervisés ou instruits sur l'utilisation sûre de l'appareil et comprennent les risques encourus. Les enfants de 3 ans et MOINS de 8 ans ne doivent pas brancher, régler ou nettoyer l'appareil ou en effectuer l'entretien.

## 2. CARACTÉRISTIQUES ET FONCTIONS

Nos radiateurs sont compatibles avec la norme ECODESIGN. De plus, nous avons inclus des fonctionnalités permettant de gérer l'énergie plus efficacement.

### • Fonction Fenêtres Ouvertes

Cette fonction permet de détecter si les fenêtres sont ouvertes et d'éviter le gaspillage d'énergie et les pertes de chaleur de la pièce. La fonction est activée lorsque la température baisse rapidement en peu de temps (par exemple lorsqu'une fenêtre de la pièce est ouverte).

Lorsque l'état de la fenêtre ouverte est détecté, l'écran affiche le mot "Opn" (Open = Ouvert) et le radiateur passe en mode HORS-GEL (7 °C).

Ce statut se termine automatiquement lorsque le produit détecte que la fenêtre s'est fermée, ou lorsque la touche MODE est actionnée.



## 3. INSTALLATION

Il est recommandé que le radiateur soit installé par un professionnel acréditée.

**IMPORTANT:** Avant l'installation, veuillez repérer l'étiquette métallique au dos du produit et noter la référence et le numéro de série du produit. Vous aurez besoin de ces informations pour enregistrer votre garantie.

**AVERTISSEMENT:** Ne pas installer le produit directement sous une boîte de jonction ou une prise fixe. Ne l'installez pas et ne l'utilisez pas à l'extérieur. Ce produit est conçu pour être installé à l'intérieur, verticalement sur le mur, en utilisant le kit d'installation et les fixations fournies.

Les radiateurs de ROINTE Palaos utilisent la convection naturelle de l'air pour transférer la chaleur. L'air froid est introduit dans la partie inférieure du radiateur et augmente sa température en passant par l'intérieur de l'élément chauffant et en l'expulsant par le haut sous forme d'air chaud.

Pour obtenir des performances parfaites et une répartition uniforme de la chaleur, le produit doit être installé à une distance minimale du sol et des murs adjacents. Voir "Schéma 1".

Si le produit est couvert, cela perturbe le flux d'air et peut provoquer une surchauffe.

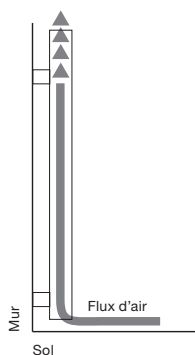
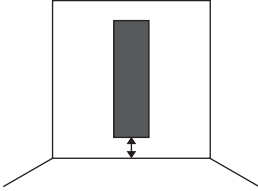
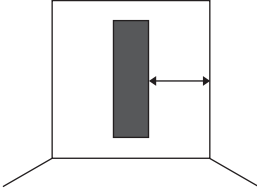
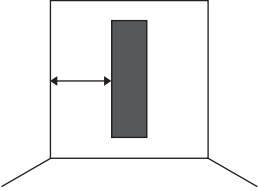


Schéma 1

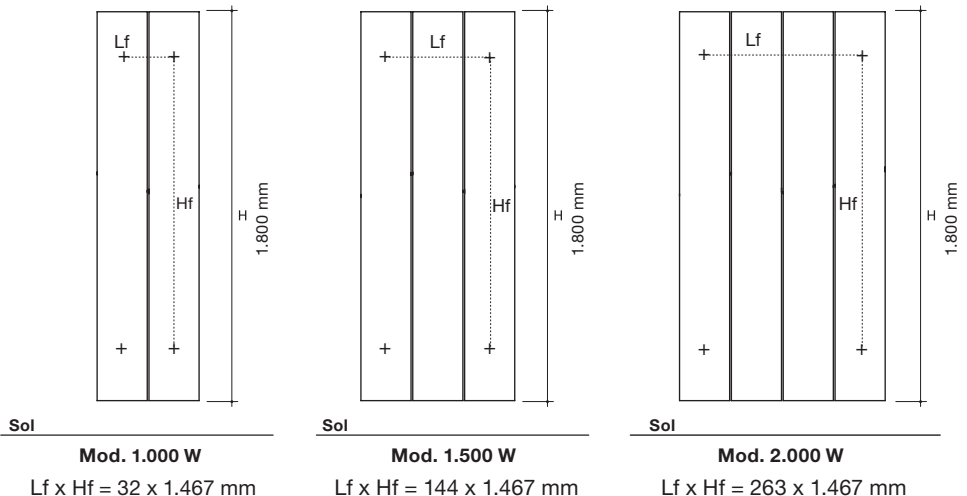
		
<p>1. Installez le radiateur à 20 cm du sol.</p>	<p>2. La distance minimale par rapport au mur de droite doit être d'au moins 30 cm.</p>	<p>3. La distance minimale par rapport au mur du côté gauche doit être d'au moins 10 cm.</p>

À l'intérieur de l'emballage du produit, vous trouverez un kit d'installation. Cela comprend les supports, les vis et les chevilles de fixation pour les murs en briques, en ciment ou en pierre compactée.

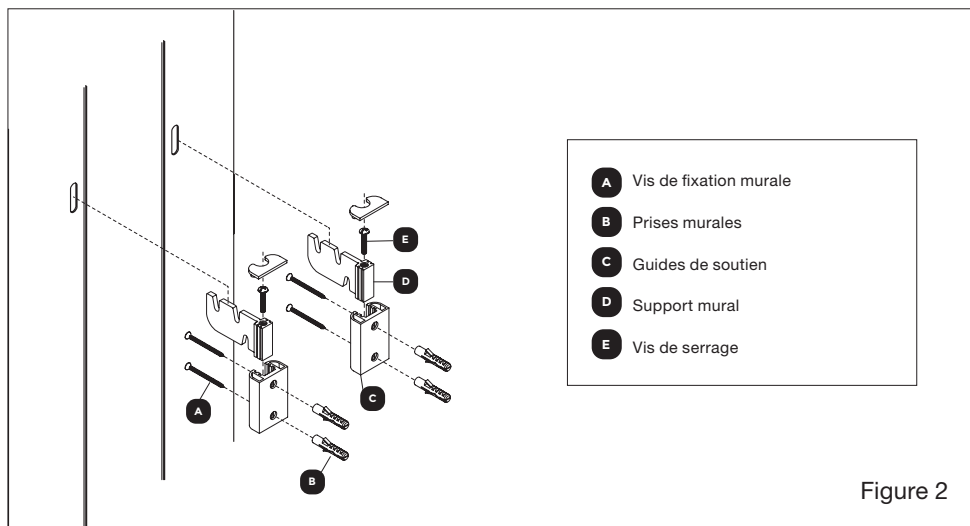
Vous aurez besoin d'une perceuse, d'un maillet en caoutchouc, d'un niveau à bulle et d'un crayon pour compléter l'installation.

**IMPORTANT:** Veuillez suivre attentivement ces instructions.

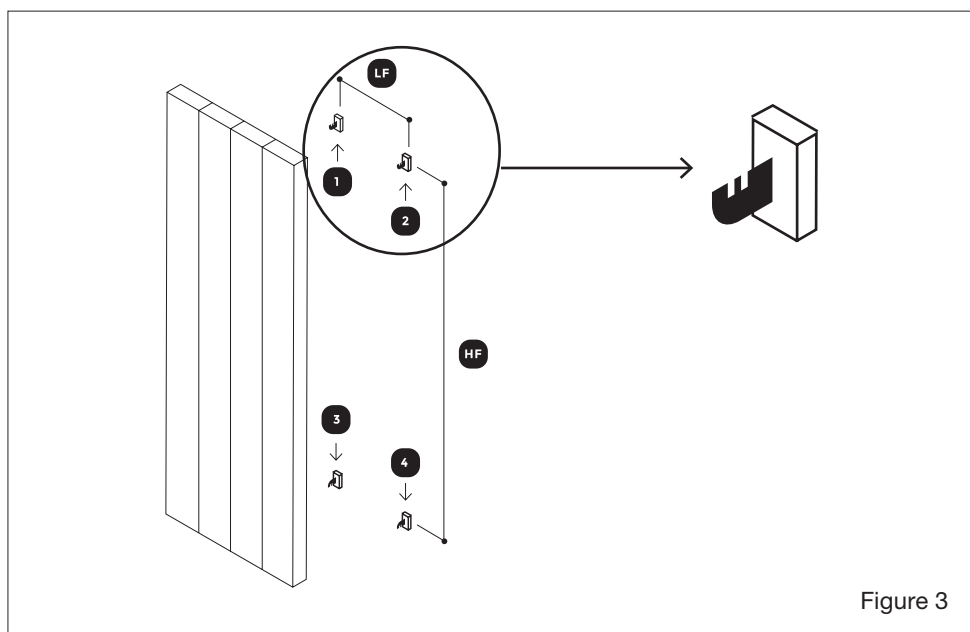
1. Percez le mur en considérant Lf et Hf comme trous de fixation selon le modèle acheté:



2. Après avoir inséré les chevilles, installez les 4 guides de support (C dans la figure 2) fournis.

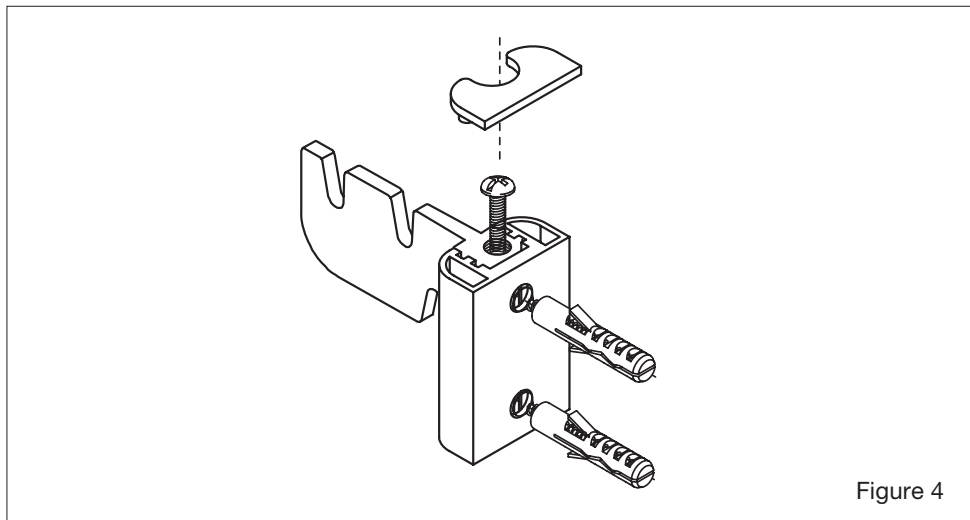


3. . Insérez les 2 supports muraux supérieurs avec le crochet vers le haut et les supports muraux inférieurs avec le crochet vers le bas.

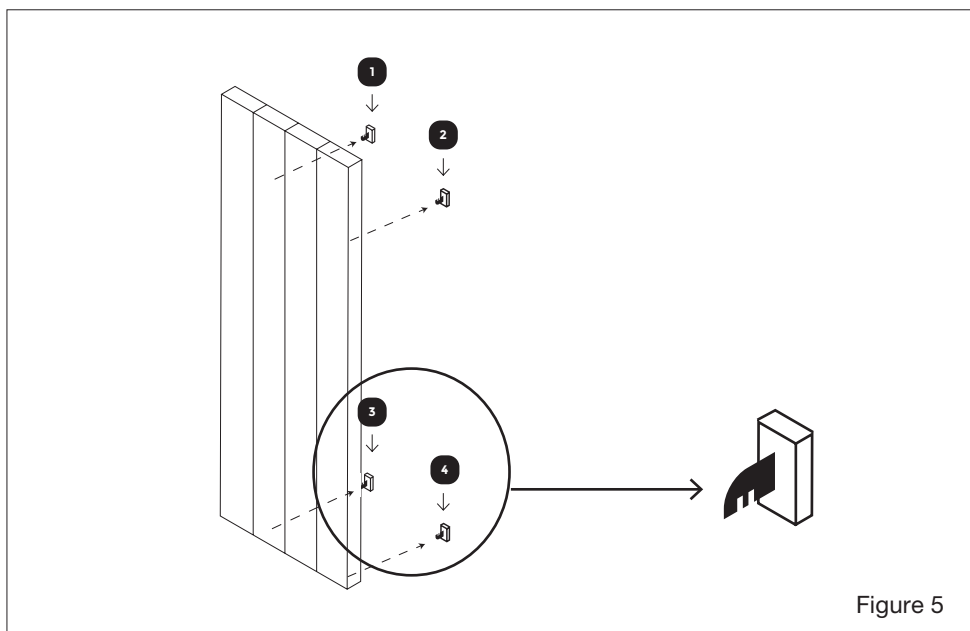




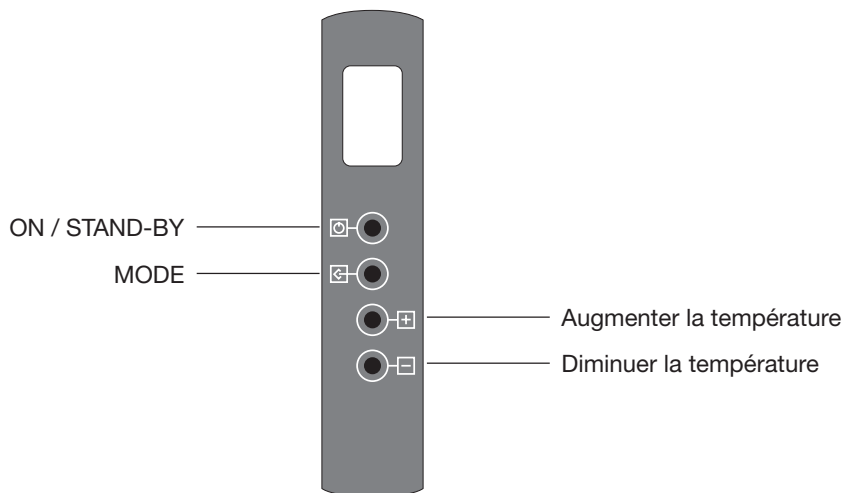
4. Fixez les supports à l'aide de la vis de retenue.



5. Montez le radiateur sur les 2 supports muraux supérieurs. Ensuite, enclenchez le produit dans les 2 supports muraux inférieurs et finissez de serrer les 4 vis de fixation.




## 4. PANNEAU DE CONTRÔLE



## 5. FONCTIONNEMENT ET PROGRAMMATION


### 5.1 Fonctionnement et stand-by


En mode "STAND-BY", le radiateur ne fonctionne pas. L'écran affiche l'heure actuelle dans la section horloge. Pour allumer le produit, appuyez sur la touche STAND-BY  pendant 2 secondes.


Lorsque le produit est allumé pour la première fois, l'heure et le jour clignotent. Ces valeurs sont très importantes pour le fonctionnement et la programmation du produit, nous devons donc procéder à sa configuration.





### 5.2 Fixer l'heure et la date


L'heure et le jour de la semaine doivent être réglés lors de la première mise sous tension. Il est également possible d'accéder à la configuration de ces paramètres en appuyant sur le bouton MODE  pendant 5 secondes lorsque le produit est en mode "STAND-BY". L'écran affiche le mot "SET" momentanément et suggère de changer l'HEURE et le JOUR.


L'heure est réglée en appuyant sur le bouton PLUS  jusqu'à ce que la valeur actuelle des heures et des minutes soit atteinte.

Appuyez sur la touche MODE  pour confirmer le réglage de l'horloge et continuer avec le réglage des jours de la semaine.

L'écran affiche le mot "DAT" momentanément et suggère le jour de la semaine, où D1 correspond au lundi, D2 au mardi .

Utilisez la touche PLUS  pour définir le jour de la semaine en cours (par exemple, pour le jeudi, appuyez sur la touche PLUS  4 fois, jusqu'à ce que vous atteigniez D4).

Ensuite, utilisez la touche MODE  pour confirmer et quitter le réglage de l'horloge. Une fois l'heure réglée, elle s'affiche à l'écran comme une heure fixe (qui ne clignote pas).

Pour allumer le produit, appuyez sur la touche STAND-BY  pendant 2 secondes.




### 5.3 Modes de fonctionnement MANUELS

Il existe 4 modes de fonctionnement manuel : fil pilote, confort, nuit et hors-gel.

#### Mode fil pilote (disponible sur demande)

Le Fil Pilote est un protocole de communication spécial qui permet à une unité externe ou à une unité de contrôle de contrôler le radiateur.


Pour activer le FIL PILOTE, appuyez une fois sur la touche MODE . Le message "FP" apparaîtra brièvement, accompagné d'un signal sonore.


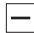
Le programme est indiqué sur l'écran par une flèche pointant sur le symbole de la maison.

**IMPORTANT:** Cette fonction n'est pas disponible sur ce produit, même si elle est affichée dans le menu.



### **Mode confort**

Pour activer le mode CONFORT, appuyez une fois sur la touche MODE . Le message “AVEC” apparaîtra brièvement, accompagné d’un signal sonore.


En mode CONFORT, vous pouvez régler la température souhaitée à l’aide des boutons PLUS  et MOINS . Le radiateur reste allumé jusqu’à ce que la pièce atteigne la température choisie.



Le programme CONFORT est indiqué sur l’écran par une flèche pointant vers le symbole du soleil, indiquant la température de confort sur l’écran.

La température sélectionnée sera utilisée pendant le mode de programmation hebdomadaire (section 5.4.) comme température de consigne pour les périodes en mode confort.



### **Mode nuit**

Pour passer du mode CONFORT au mode NUIT, appuyez à nouveau sur la touche MODE . Le mot “RID” (Réduit) apparaîtra brièvement, accompagné d’un signal sonore.


Dans ce mode, la température préférée peut être réglée avec les boutons PLUS  et MOINS .

Cette température ne dépend pas de la température de confort et est généralement utilisée pour fixer une température inférieure à 19°C, idéale pour une nuit de repos. Le programme de réduction nocturne est indiqué par une flèche pointant sur le symbole de la lune et lorsque la température du mode nuit est affichée à l’écran.

La température sélectionnée sera utilisée pendant le mode de programmation hebdomadaire (section 5.4.) comme température de consigne pour les périodes en mode nuit.



### **Mode hors-gel**

Pour passer du mode NUIT au mode HORS-GEL, appuyez une nouvelle fois sur la touche MODE .


Dans ce mode de fonctionnement, l'utilisateur ne peut pas régler la température, mais reste fixé à 7 °C. En mode hors-gel, la flèche indique le symbole du flocon de neige et 7 °C est affiché.

Ce mode empêche la température ambiante de descendre en dessous de 7 °C.



## 5.4 Mode de fonctionnement AUTOMATIQUE



Dans ce mode de fonctionnement, le produit régule la température en fonction du programme quotidien créé par l'utilisateur, en utilisant les températures préalablement définies dans les modes confort et nuit.

Pour passer du mode HORS-GEL au mode PROGRAMMATION, appuyez à nouveau sur le bouton MODE .

Le mot "PRO" apparaîtra à l'écran. La fonction est indiquée par la flèche pointant sur le symbole de l'horloge (située en bas à droite de l'écran). Dans la partie "horloge" de l'écran, l'heure actuelle n'est affichée que si l'heure et le jour de la semaine ont été correctement réglés lors de la première mise en marche du produit (section 5.2).

La séquence de programmation est affichée sur le côté gauche de l'écran, avec une succession de lignes représentant les 24 heures de la journée. Une flèche en haut de l'écran indique le mode de fonctionnement (Confort ou Nuit).

La température sélectionnée pour ce mode est affichée à l'écran.

Pour modifier les températures des modes confort ou nuit, entrez dans le mode correspondant, puis utilisez les boutons PLUS  et MOINS  pour modifier les paramètres de température.









### 5.4.1 Programmation hebdomadaire

Pour procéder à la programmation hebdomadaire, il est nécessaire:

- Avoir établi l'heure et le jour de la semaine (section 5.2).
- Soyez en mode PROGRAMMATION.



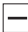


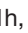


Dans ce mode, il est possible de programmer chaque jour indépendamment.

1. Sélectionnez le jour avec les touches PLUS  et MOINS  (d1 = lundi, d2 = mardi, etc.). Les tranches horaires du jour seront affichées à gauche de l'écran.
2. Dans la partie inférieure de l'écran, l'intervalle de temps à programmer est indiqué (00h, 01h, 02h, 03h... jusqu'à 24h). Un intervalle de temps correspond à une heure. Appuyez sur PLUS  pour activer la température du mode Confort et sur MOINS  pour utiliser la température du mode Nuit à cette heure. Le mode Confort est indiqué par une bande sur la barre latérale et le mode Nuit par une bande en dehors. Après chaque sélection, l'intervalle de temps avancera progressivement (00h, 01h, 02h, 03h... à 24h).

3. Seules les marques lumineuses seront affichées dans les tranches horaires où le mode confort est actif.
4. Une fois que la configuration de toutes les heures d'une journée est terminée, appuyez une fois sur la touche MODE  et sélectionnez les jours suivants d2 -d7.
5. Pour terminer, appuyez sur la touche MODE  pendant 5 secondes jusqu'à ce que le mot "END" apparaisse.

## EXEMPLE

Si, par exemple, nous voulons régler le mode confort le vendredi de 7h à 9h et de 17h à 21h, en gardant le reste de la journée en mode nuit, nous devons le faire:

- Choisissez le jour que vous souhaitez programmer (dans ce cas, vendredi = d5 -> appuyez 5 fois sur la touche PLUS ) et appuyez ensuite sur la touche MODE  pour confirmer.
- L'écran affichera les plages horaires (00h, 01h, 02h, 03h ...). Les créneaux horaires commencent à partir de minuit, ce qui signifie que le premier créneau horaire va de minuit à une heure du matin.
- Dans ce cas, comme nous voulons activer le mode nuit jusqu'à 7 heures du matin, nous devons appuyer 7 fois sur la touche MOINS . Si le mode nuit est réglé, par exemple à 18°C, le radiateur sera activé à 18°C de minuit à 7 heures du matin.
- Maintenant, nous allons configurer le mode confort dans la tranche horaire qui va de 7h à 9h du matin, en appuyant deux fois sur la touche PLUS , jusqu'à 9h. Les bandes en mode confort sont indiquées par une bande latérale allumée.
- De 9h à 17h, appuyez sur la touche MOINS . De 17h à 21h, appuyez sur la touche PLUS . De 21 heures à minuit, appuyez sur la touche MOINS  usqu'à ce que le réglage du jour soit terminé.
- N'oubliez pas que vous ne verrez que les marques dans les tranches horaires qui sont réglées en mode confort.
- Pour confirmer l'ensemble du programme hebdomadaire, appuyez sur la touche MODE  pendant au moins 5 secondes jusqu'à ce que le mot "END" apparaisse.

## 6. ENTRETIEN ET NETTOYAGE

Le produit ne nécessite aucun entretien. Nous recommandons de nettoyer le produit (dos, fond du produit, ailerons supérieurs, etc.). N'utilisez aucun produit abrasif sur l'aluminium, nettoyez-le avec un chiffon humide et du savon à pH neutre et l'écran avec un chiffon sec. Avant d'effectuer toute opération de nettoyage, assurez-vous que le radiateur est éteint et à température ambiante.

**AVERTISSEMENT:** Débranchez le produit de la source d'alimentation et assurez-vous que le produit est à température ambiante avant tout nettoyage ou entretien. N'utilisez pas de produits abrasifs sur l'aluminium, tels que (mais sans s'y limiter) des produits chimiques, des chiffons rugueux, des brosses à poils durs ou de la laine d'acier.

## 7. NORMES EUROPÉENNES 2012/19/UE







Selon le règlement européen 2012/19/UE sur les déchets d'équipements électriques et électroniques (DEEE), ces équipements ne peuvent pas être éliminés dans les conteneurs municipaux normaux ; ils doivent être collectés séparément afin d'optimiser la récupération et le recyclage de leurs composants et matériaux et de réduire l'impact sur la santé humaine et l'environnement. Le symbole de la poubelle barrée est apposé sur tous les produits Rointe pour rappeler au consommateur l'obligation de les séparer pour une collecte séparée. Le consommateur doit contacter l'autorité locale ou le détaillant pour obtenir des informations concernant l'élimination appropriée de son appareil.

## 8. GARANTIE

Cette section décrit les conditions de garantie offertes à l'acheteur lors de l'achat d'un nouveau radiateur de la marque Rointe. Ces conditions remplissent tous les droits dont dispose l'acheteur selon la législation nationale en vigueur, ainsi que la garantie et les droits supplémentaires offerts par la marque Rointe.

10.1 Tout incident détecté sur votre produit Rointe peut être traité par le vendeur du produit ou de manière plus agile par le fabricant lui-même. Rointe, met à votre disposition un **TÉLÉPHONE D'ASSISTANCE TECHNIQUE 01 73 05 70 01** où nous vous indiquerons les démarches à suivre pour résoudre une telle incidence.

**Vous aurez besoin de la référence du produit (située sur l'étiquette du produit), du numéro de série, de la date d'achat et de la nature du défaut lorsque vous nous contacterez pour améliorer la garantie. Veuillez également joindre une copie de la facture d'achat du produit.**

REFERENCE	  TCOD: RD6154311 REF: DIW0550RAD INPUT: 230 V~ 50Hz 550W S/N: 8436045913715000001 D SERIES
NUMÉRO DE FABRICATION	  IP 24G  

## 8.1 Conditions

1. Rointe garantit que ce produit ne présente aucun défaut de matériau, de conception ou de fabrication au moment de son achat initial et pour une période de 24 mois (2 ans) pour les composants électriques et électroniques et de 120 mois (10 ans) pour le corps en aluminium.

2. Si pendant la période de garantie, le radiateur ne fonctionne pas correctement dans des conditions normales d'utilisation, et qu'il y a un défaut de conception, de matériau ou de fabrication, Rointe réparera ou remplacera le radiateur, selon ce qui est jugé approprié, selon les termes et conditions énoncés ci-dessous:

2.1. La garantie n'est fournie que sur présentation du certificat de garantie original délivré par l'établissement de vente et lorsque ladite garantie est correctement remplie, y compris la référence du produit, le numéro de série (figurant sur l'étiquette des caractéristiques techniques du produit), la date d'achat et le cachet du vendeur.

Rointe se réserve le droit de refuser le service de garantie lorsque ces informations ont été supprimées ou rectifiées après l'achat initial du produit.

2.2. La garantie s'applique uniquement aux cas de défauts de matériaux, de conception ou de fabrication, elle ne couvre en aucun cas les dommages causés au radiateur pour les raisons suivantes:

a) Utilisation incorrecte du produit, à des fins autres que normales ou ne pas respecter les instructions d'utilisation et d'entretien données par Rointe, ainsi que l'installation ou l'utilisation du produit d'une manière non conforme aux normes techniques de sécurité en vigueur. Les réparations non autorisées effectuées par du personnel non autorisé ou l'ouverture du radiateur par des personnes non autorisées. Accidents imprévus échappant au contrôle de Rointe, tels que la foudre, l'incendie, les inondations, les troubles publics, etc.

b) Les réparations ou les remplacements couverts par la présente garantie ne permettent pas de prolonger ou de redémarrer la période de garantie.

c) Les réparations ou les remplacements couverts par cette garantie doivent être effectués avec des unités fonctionnellement équivalentes. Les pièces défectueuses ou les pièces enlevées ou remplacées deviendront la propriété de Rointe.

3. Le service technique de Rointe pourra vous conseiller si vous devez acheter des pièces de rechange en dehors de la période de garantie.

4. Cette garantie n'affecte pas les droits légaux de l'acheteur en vertu de la législation nationale en vigueur, ni les droits de l'acheteur contre le distributeur ou l'installateur découlant du contrat de vente.

5. En l'absence de législation nationale applicable en vigueur, cette garantie est la seule protection de l'acheteur. Rointe, ses bureaux et ses distributeurs et installateurs ne sont pas responsables des dommages, qu'ils soient accidentels ou consécutifs, résultant de la violation de toute règle implicite relative à ce produit.



## 8.2 Enregistrement de la garantie

Il est important que vous enregistriez votre produit ROINTE dans le cadre de notre service de garantie, au cas où vous souhaiteriez faire une réclamation. Vous pouvez enregistrer votre produit ROINTE de la manière suivante:

### **WEB**

6. Rendez-vous sur [www.rointe.com/fr/enregistrez-votre-garantie/](http://www.rointe.com/fr/enregistrez-votre-garantie/).
7. Connectez-vous à votre compte existant ou créez un nouveau compte si nécessaire.
8. Cliquez sur “Mes produits”.
9. Saisissez la référence de votre produit (en alphanumérique et en majuscules).
10. Saisissez votre numéro de série (26 chiffres situés sur l’étiquette métallique de votre produit et commençant par 843).
11. Téléchargez votre preuve d’achat, telle qu’une facture au format PDF, JPEG ou PNG. Ce n’est pas obligatoire, mais cela garantit l’exactitude de votre période de garantie.
12. Cliquez sur “S’inscrire”. Félicitations! Votre produit est maintenant enregistré.

### **E-MAIL**

1. Envoyez un courriel à [rointe@rointe.fr](mailto:rointe@rointe.fr) avec les informations suivantes:
  - **Nom du client**
  - **Adresse et code postal**
  - **Numéro de téléphone et adresse électronique**
  - **Référence du produit** (alphanumérique et en majuscules)
  - **Numéro de série** (26 chiffres situés sur l’étiquette métallique de votre produit et commençant par 843)
  - **La date d’achat du produit et la preuve d’achat** (telle que la facture)
2. Notre équipe d’assistance technique confirmera l’enregistrement de votre produit et vous demandera toute information supplémentaire requise par courrier électronique.

### **POSTE**

1. Envoyez les informations dans la section EMAIL ci-dessus à:
  - **INDUSTRIAS ROYAL TERMIC, S.L. - Rointe, C/E Parcela 43, 30140, Santomera (SPAIN)**
2. Veillez à obtenir une preuve d’expédition.

## 9. ERP. RÈGLEMENT (UE) 2015/1188 DE LA COMMISSION

PARTIE	SYMBOL	UNITÉ	1000RAD		1500RAD		2000RAD	
<b>PUISSANCE CALORIFIQUE</b>								
Puissance calorifique nominale	$P_{nom}$	kW	1	1,5	2,0			
Puissance calorifique minimale (indicative)	$P_{min}$	kW	n/a	n/a	n/a			
Puissance calorifique maximale continue	$P_{max,c}$	kW	1	1,5	2,0			
<b>CONSUMMATION D'ÉNERGIE AUXILIAIRE</b>								
À la puissance calorifique nominale	$e_{i,MAX}$	kW	1,000	1,500	2,000			
À puissance calorifique minimale	$e_{i,MIN}$	kW	1,000	1,500	2,000			
En mode veille	$e_{i,SB}$	kW	0,0012	0,0012	0,0012			
<b>TYPE DE RÉGULATION DE LA PUISSANCE CALORIFIQUE / TEMPÉRATURE INTÉRIEURE (EN CHOISIR UNE)</b>								
Puissance calorifique mononiveau, pas de régulation de la température intérieure			–	–	–			
Deux niveaux manuels ou plus, pas de contrôle de la température intérieure			–	–	–			
Avec contrôle de la température intérieure par thermostat mécanique			–	–	–			
Avec régulation électronique de la température intérieure			–	–	–			
Régulation électronique de la température intérieure et minuterie journalière			–	–	–			
Régulation électronique de la température intérieure et minuterie hebdomadaire			✓	✓	✓			
<b>D'AUTRES OPTIONS DE CONTRÔLE (VOUS POUVEZ EN SÉLECTIONNER des DIFFÉRENTES)</b>								
Régulation de la température intérieure avec détection de présence			–	–	–			
Régulation de la température intérieure avec détection de fenêtre ouverte			✓	✓	✓			
Avec option télécommande			–	–	–			
Avec commande de démarrage adaptative			–	–	–			
Avec limitation du temps de fonctionnement			–	–	–			
Avec capteur de lampe noire			–	–	–			
<b>RENDEMENT ÉNERGÉTIQUE SAISONNIER</b>	$\eta_s$	–	<b>38,0%</b>	<b>38,0%</b>	<b>38,0%</b>			

## 10. SPÉCIFICATIONS ET DONNÉES TECHNIQUES

MODÈLE		1000RAD	1500RAD	2000RAD
Nombre d'éléments		2	3	4
<b>MATÉRIELS</b>				
Corps en aluminium de haute pureté		✓	✓	✓
Panneau de contrôle avec clavier mécanique		✓	✓	✓
<b>DIMENSIONS, POIDS ET FINITIONS</b>				
Largeur (mm)		236	356	476
Hauteur (mm)		1.800	1.800	1.800
Profondeur (mm)		72	72	72
Profondeur installée (mm)		110	110	110
Poids (kg)		11	15,5	20,5
Finition		Blanc RAL 9016 / Noir sablé S305I		
<b>CAPACITÉS ÉLECTRIQUES</b>				
Puissance nominale (W)		1.000	1.500	2.000
Tension (V)		230 ~V	230 ~V	230 ~V
Courant (A)		4,3	6,5	8,7
Puissance par élément (W)		500	500	500
<b>INSTALLATION ET SÉCURITÉ</b>				
Thermostat de sécurité		✓	✓	✓
Kit d'installation		✓	✓	✓
Degré de protection		IPX4	IPX4	IPX4

## CONTEÚDO

1. Introdução .....	52
2. Características e funções .....	54
3. Instalação .....	54
4. Painel de controlo .....	58
5. Funcionamento e programação .....	58
6. Manutenção e limpeza .....	62
7. Regulamento Europeu 20120/19/UE .....	63
8. Garantia .....	63
8.1 Termos e condições .....	65
8.2 Registo de garantia .....	65
9. ERP. Regulamento da Comissão (EU) 2015/1188 .....	66
10. Especificações e dados técnicos .....	67

## 1. INTRODUÇÃO

Os radiadores verticais eléctricos ROINTE Palaos são programáveis com um painel de controlo de temperatura exclusivo, feito de materiais de alta qualidade. A escolha cuidadosa dos componentes garante eficiência, sem afectar o confort.

Com um design único, os radiadores ROINTE Palaos passaram os mais altos controlos de qualidade, para satisfazer os requisitos de segurança e eficiência. Estes radiadores eléctricos digitais são concebidos para instalação fixa na parede.

Este produto é concebido para uso doméstico ou residencial. Recomenda-se que o radiador seja instalado por um profissional aprovado. Certificar-se de que o radiador está devidamente ligado a uma rede de 230V. O radiador é de classe II e tem protecção eléctrica IPX4. Não fazer quaisquer ligações eléctricas sem observar estas normas de segurança.

**Leia atentamente este manual antes da instalação e operação. Guarde este manual para referência futura e as condições de garantia do produto. É muito importante manter este manual após a instalação.**

**IMPORTANTE:** Leia atentamente este manual e guarde-o para utilização futura. Ao utilizar aparelhos eléctricos, devem ser tomadas precauções para reduzir o risco de incêndio, choque eléctrico e ferimentos.

**IMPORTANTE:** Qualquer reparação que exija a abertura do produto deve ser efectuada por ROINTE ou por pessoal autorizado. Por favor, respeite as regras ao eliminar este produto e o seu fluido térmico.

**IMPORTANTE:** Para desligar o produto da fonte de alimentação principal, retirar a ficha da tomada. Não puxar o cordão. Se o cabo de alimentação for danificado, deve ser substituído por ROINTE ou pelo seu pessoal autorizado para evitar qualquer dano.

**IMPORTANTE:** ROINTE declina qualquer responsabilidade no caso de qualquer acidente causado por utilização incorrecta ou utilização não conforme com este manual.

**IMPORTANTE:** As características de fabrico dos radiadores distribuídos pela ROINTE são patenteadas.

**AVISO:** A manutenção e reparação do produto só deve ser efectuada por ROINTE ou pelo seu pessoal autorizado, utilizando apenas as peças sobressalentes exactas aprovadas pelo fabricante.

**AVISO:** O produto é classificado como IPX4 e pode ser utilizado em casas de banho, mas não nas proximidades de banhos, duchas, ligações de água, lavatórios ou outros corpos de água. O produto não deve ser instalado onde ele ou o painel de controlo está ao alcance das pessoas na água. Nunca utilizar o produto com as mãos molhadas. Não colocar quaisquer recipientes com água (copos, vasos, etc.) sobre ou perto do produto.

**AVISO:** Partes deste produto podem tornar-se muito quentes e causar queimaduras. Deve ser dada especial atenção quando estão presentes crianças e pessoas vulneráveis.

**AVISO:** Para evitar o sobreaquecimento, não cobrir o aparelho com roupa ou outros artigos. Não inserir quaisquer objectos na entrada e saída de ar. Não utilizar insecticidas, tintas ou sprays sobre o produto. Não se sentar sobre o produto ou colocar nada em frente dele.

**AVISO:** As crianças a partir dos 3 anos de idade e com menos de 8 anos de idade só devem ligar/desligar o aparelho se este tiver sido colocado ou instalado na sua posição de funcionamento normal prevista e se forem supervisionadas ou instruídas na utilização segura do aparelho e compreenderem os riscos envolvidos. As crianças a partir dos 3 e menos de 8 anos de idade não devem ligar, ajustar ou limpar o aparelho ou fazer a manutenção.

## 2. CARACTERÍSTICAS E FUNÇÕES

Os nossos radiadores são compatíveis com a norma ECODESENHO. Além disso, incluímos características para ajudar a gerir a energia de forma mais eficiente.

### • Janelas abertas

Esta função pode detectar se as janelas estão abertas e prevenir o consumo excessivo de energia e a perda de calor da sala. A função é activada quando a temperatura cai rapidamente num curto período de tempo (por exemplo, quando se abre uma janela na sala).

Quando o estado de janela aberta é detectado, o visor mostra a palavra “Opn” (Abrir = Abrir) e o radiador muda para o modo ANTI-GELO (7 °C).

Este estado termina automaticamente quando o produto detecta que a janela se fechou, ou quando a tecla MODE é premida.



## 3. INSTALAÇÃO

Recomenda-se que o radiador seja instalado por um profissional aprovado.

**IMPORTANTE:** Antes da instalação, por favor localizar a etiqueta metálica no verso do produto e anotar a referência do produto e o número de série. Precisar de esta informação para registar a sua garantia.

**AVISO:** Não instalar o produto directamente debaixo de uma caixa de junção ou de uma tomada fixa. Não o instalar ou utilizar ao ar livre. Este produto foi concebido para ser instalado em interiores, verticalmente na parede, utilizando o kit de instalação e os elementos de fixação fornecidos.

Os radiadores ROINTE Palaos utilizam a convecção natural do ar para transferir calor. O ar frio é introduzido na parte inferior do radiador e aumenta a sua temperatura ao passar pelo interior do elemento de aquecimento e expelindo-o na parte superior como ar quente.

Para obter um desempenho perfeito e mesmo uma distribuição de calor, o produto deve ser instalado a uma distância mínima do chão e das paredes adjacentes. Ver “Diagrama 1”.

Se o produto estiver coberto, isto perturbará o fluxo de ar e poderá causar sobreaquecimento.

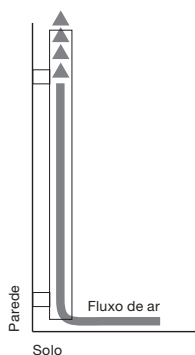
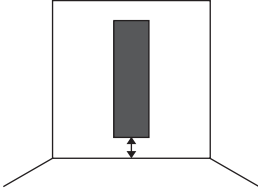
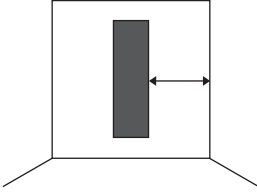
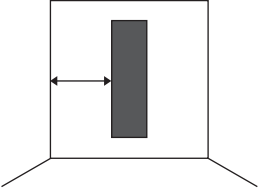


Diagrama 1:

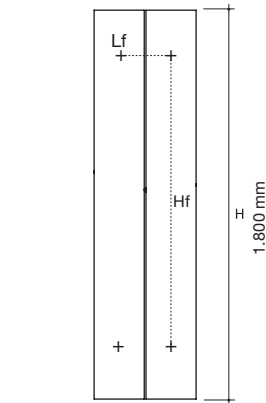
		
<p>1. Instale o radiador a 20 cm do solo.</p>	<p>2. A distância mínima da parede do lado direito deve ser de pelo menos 30 cm.</p>	<p>3. A distância mínima da parede do lado esquerdo deve ser de pelo menos 10 cm.</p>

Dentro da embalagem do produto, encontrará um kit de instalação. Isto inclui suportes, parafusos e buchas de fixação para paredes de tijolo, cimento ou pedra compactada.

Será necessário um berbequim, um martelo de borracha, um nível de bolha de ar e um lápis para completar a instalação.

**IMPORTANTE:** Por favor, siga cuidadosamente estas instruções.

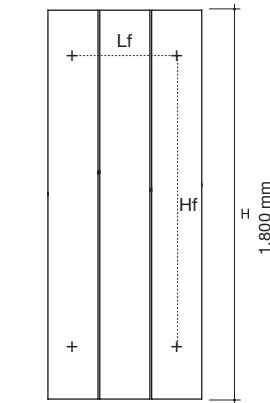
1. 1. Perfure a parede considerando Lf e Hf como orifícios de fixação de acordo com o modelo adquirido:



Solo

Mod. 1.000 W

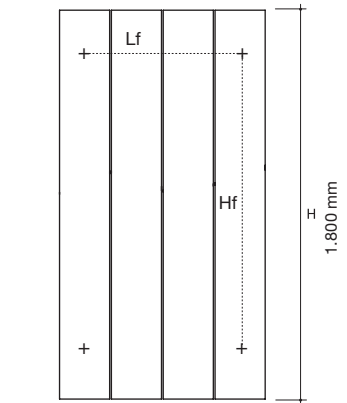
Lf x Hf = 32 x 1.467 mm



Solo

Mod. 1.500 W

Lf x Hf = 144 x 1.467 mm

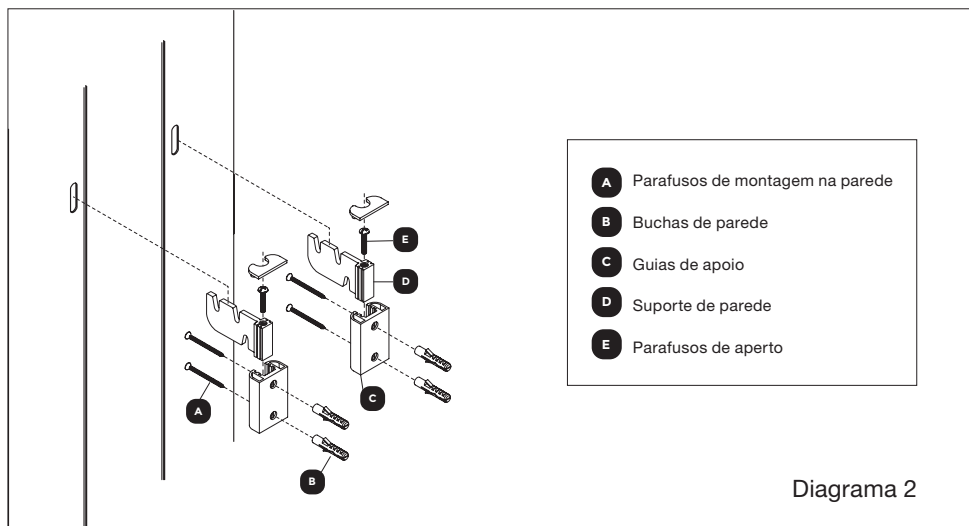


Solo

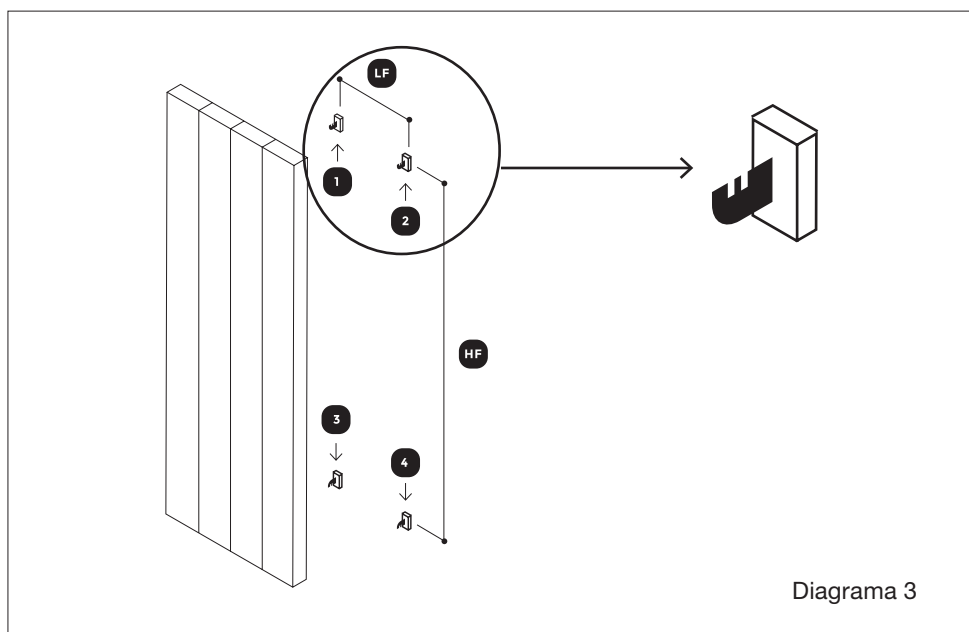
Mod. 2.000 W

Lf x Hf = 263 x 1.467 mm

2. Depois de inserir as buchas, instale os 4 suportes (C na figura 2) fornecidos.

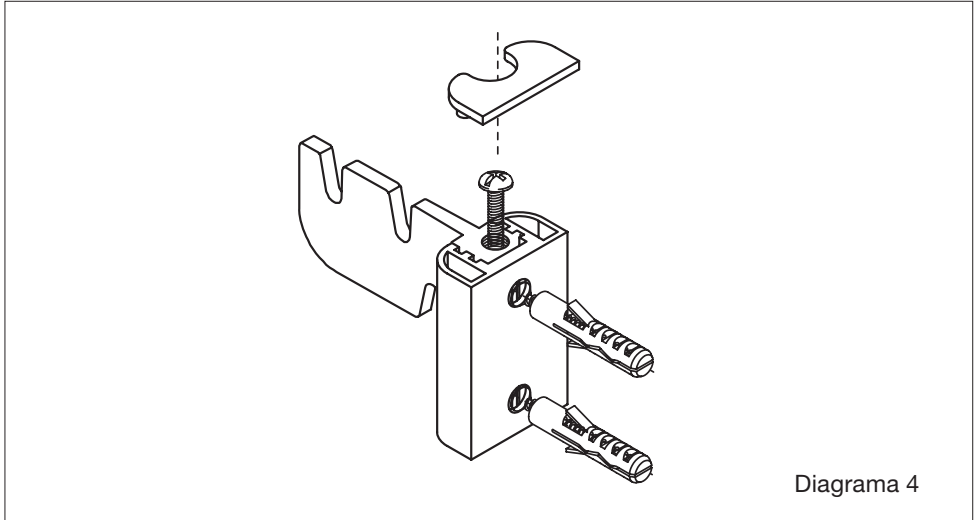


3. Insira os 2 suportes de parede superiores com o gancho voltado para cima e os inferiores na direção oposta, com o gancho voltado para baixo.

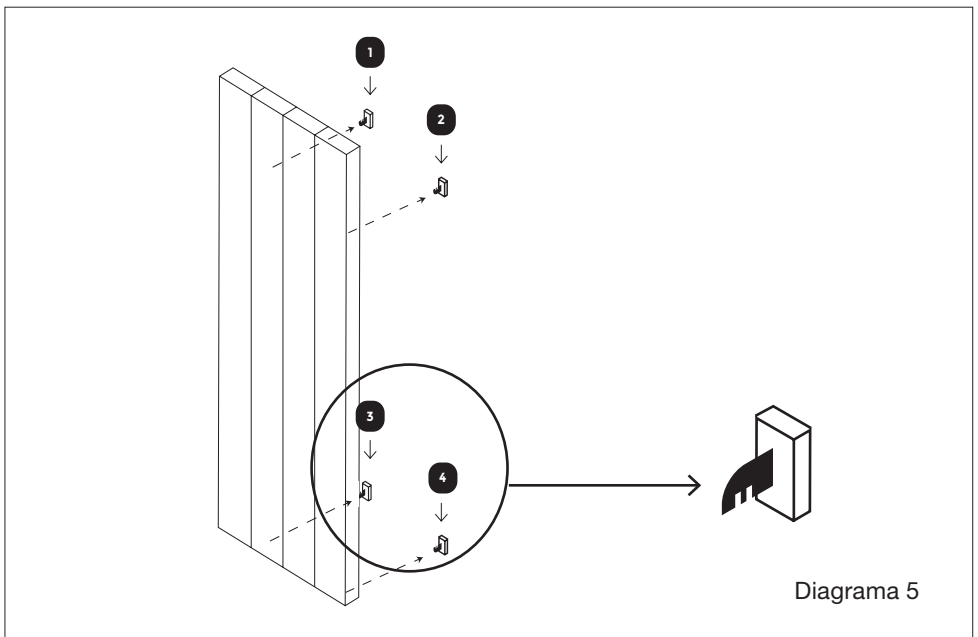




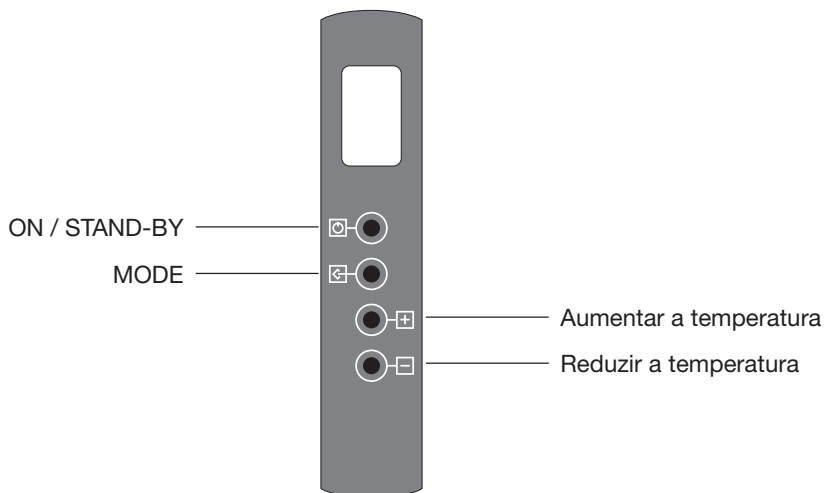
4. Fixe os suportes usando o parafuso de fixação.



5. Instale o radiador nos 2 suportes de parede superiores. Em seguida, encaixe o radiador nos 2 suportes de parede inferiores e termine de apertar os 4 parafusos de fixação.

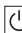


## 4. PAINEL DE CONTROL



## 5. FUNCIONAMENTO E PROGRAMAÇÃO

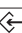
### 5.1 Operação e stand-by


No modo STAND-BY, o radiador não funciona. O visor mostra a hora atual na seção do relógio. Para ligar o produto, pressione o botão STAND-BY  por 2 segundos.


Quando ligar o produto pela primeira vez, a hora e o dia piscarão. Estes valores são muito importantes para o funcionamento e programação do produto, por isso deve proceder à sua configuração.




### 5.2 Definir a hora e a data


A hora e o dia da semana devem ser definidos na primeira utilização. Também é possível aceder à configuração destes parâmetros premindo o botão MODE  durante 5 segundos quando o produto está no modo STAND-BY. O visor mostra momentaneamente a palavra "SET" e sugere a alteração da HORA e do DIA.


A hora é regulada mantendo premido o botão MAIS  até ser atingido o valor actual de hora e minuto.

Prima a tecla MODE  para confirmar a definição do relógio e continuar com a definição do dia da semana.

O visor mostra momentaneamente a palavra “DAT” e sugere o dia da semana, onde D1 corresponde a segunda-feira, D2 a terça-feira .

Utilize a tecla MAIS  para definir o dia da semana actual (por exemplo, para quinta-feira, prima a tecla MAIS 4 vezes, até chegar a D4).

Depois utilizar a tecla MODE  para confirmar e sair do ajuste do relógio. Uma vez definida a hora, esta é mostrada como uma hora fixa (não intermitente) no visor.

Para ligar o produto, pressionar o botão STAND-BY  durante 2 segundos.




### 5.3 Modos de operação MANUAL

Existem 4 modos de operação manual: Fio piloto, Confort, Noturno e Anti-gelo.

#### Modo fio piloto (disponível a pedido)

O fio piloto é um protocolo especial de comunicação que permite a uma unidade externa ou unidade de controlo controlar o radiador.


Para activar o FIO PILOTO, prima uma vez a tecla MODE  . A mensagem “FP” aparecerá brevemente juntamente com um sinal acústico.



O programa é mostrado no visor por uma seta apontando para o símbolo da casa.

**IMPORTANTE:** Esta função não está disponível neste produto, mesmo que seja exibida no menu.



### **Modo de confort**

Para ativar o modo CONFORT, pressione a tecla MODE  uma vez. A mensagem «CON» aparecerá brevemente junto com um sinal acústico.


No modo CONFORT, a temperatura desejada pode ser ajustada com as teclas MAIS  e MENOS . O radiador permanece ligado até que a sala atinja a temperatura selecionada.



O programa CONFORT é mostrado na tela por meio de uma seta apontando para o símbolo do sol, mostrando a temperatura de confort na tela.

A temperatura selecionada será usada durante o modo de PROGRAMAÇÃO SEMANAL (Seção 5.4.) Como a temperatura definida para os períodos no modo Confort.



### **Modo noite**

Para mudar do modo CONFORT para o modo NOITE, pressione a tecla MODE  novamente. A palavra “RID” aparecerá brevemente junto com um sinal acústico.


Neste modo, a temperatura preferida pode ser ajustada com as teclas MAIS  e MENOS .

Esta temperatura não depende da temperatura de confort e costuma ser utilizada para definir uma temperatura inferior a 19°C, ideal para uma noite de descanso. O programa de redução noturna é indicado por uma seta direcionada ao símbolo da lua e quando o display mostra a temperatura do modo noturno na tela.

A temperatura selecionada será usada durante o modo de PROGRAMAÇÃO SEMANAL (Seção 5.4.) Como a temperatura definida para os períodos no modo Noite.



### **Modo anti-gelo**

Para mudar do modo NOITE para o modo ANTI-GELO, pressione a tecla MODE  mais uma vez.


Neste modo de operação, o utilizador não pode regular a temperatura, mas permanece fixo em 7 ° C. No modo anti-gelo, a seta indica o símbolo do floco de neve e 7 ° C é exibido na tela.

Este modo evita que a temperatura ambiente caia abaixo de 7 ° C.



## 5.4 Modo de funcionamento AUTOMÁTICO



Neste modo de funcionamento, o produto regula a temperatura de acordo com o programa diário criado pelo utilizador, utilizando as temperaturas previamente definidas nos modos confort e modo noite.

Para passar do modo ANTI-GELO para o modo PROGRAMAÇÃO, pressione a tecla MODO  novamente.

A palavra “PRO” aparecerá na tela. A função é indicada pela seta apontando para o símbolo do relógio (localizado na parte inferior direita da tela). Na seção “relógio” da tela, a hora do dia atual é exibida apenas se a hora e o dia da semana tiverem sido definidos corretamente quando o produto for ligado pela primeira vez (Seção 5.2).

O desenvolvimento da programação é mostrado à esquerda da tela, por meio de uma sucessão de linhas que representam 24 horas por dia. Uma seta na parte superior da tela indica o modo de operação (Confort ou Noite).

A temperatura selecionada para aquele modo é mostrada no display. Para programar o termostato, consulte a seção 5.2.

Para modificar as temperaturas dos modos confort ou noturno, aceda ao modo correspondente e depois use as teclas MAIS  e MENOS  para modificar os parâmetros de temperatura.









### 5.4.1 . Horário semanal

Para prosseguir com a programação semanal, é necessário:

- Estabelecer a hora e o dia da semana (Seção 5.2).
- Esteja no modo PROGRAMAÇÃO.









Neste modo, é possível programar cada dia da semana de forma independente.

1. Seleccionar o dia com as teclas MAIS  e MENOS  (d1 = segunda-feira, d2 = terça-feira, etc.). Os intervalos horários do dia serão exibidas à esquerda do ecrã.
2. A área inferior do visor mostra o intervalo de tempo a programar (00h, 01h, 02h, 03h... até 24h). Um intervalo de tempo corresponde a uma hora. Pressione MAIS  para activar a temperatura do modo Confort e MENOS  para usar a temperatura do modo Nocturno nessa hora. O modo Confort é indicado por uma tira na barra lateral e o modo Nocturno por uma tira desligada. Após cada selecção, o intervalo de tempo avançará progressivamente (00h, 01h, 02h, 03h... a 24h).

3. Apenas as marcas iluminadas serão mostradas nos intervalos horários em que o modo confort está activo.
4. Uma vez terminada a configuração de todas as horas de um dia, prima uma vez a tecla MODE  e seleccione os dias d2 -d7 seguintes.
5. Para terminar, prima a tecla MODE  durante 5 segundos até aparecer a palavra “END”.

## EXEMPLO

Se, por exemplo, quisermos definir o modo confort na sexta-feira das 7h às 9h, e das 17h às 21h, mantendo o resto do dia no modo noturno, temos de o fazer:

- Escolha o dia que deseja programar (neste caso sexta-feira = d5 -> prima a tecla MAIS  5 vezes) e depois prima a tecla MODE  para confirmar.
- A tela começará a mostrar o intervalo horário (00h, 01h, 02h, 03h ...). Os intervalos horário começa à meia-noite, o que significa que o primeiro intervalo de tempo é da meia-noite à uma da manhã.
- Neste caso, como queremos ativar o modo noturno até as 7h, devemos pressionar a tecla MENOS  7 vezes. Se o modo noturno estiver definido, por exemplo a 18 °C, o radiador será ativado a 18 °C da meia-noite às 7 da manhã.
- Agora, vamos configurar o modo confort no intervalo horário que vai das 7h00 às 9h00, pressionando a tecla MAIS  duas vezes, até às 9h00. As listras no modo de confort são indicadas por um intervalo horário.
- Das 9h às 17h, pressione a tecla MENOS . Das 17h00 às 21h00, a tecla MAIS . Das 21h00 à meia-noite, a tecla MENOS , até que a definição do dia termine.
- Lembre-se de que você só conseguirá ver marcas nos intervalos horários definidas no modo de confort.
- Para confirmar toda a programação semanal, pressione a tecla MODE  por pelo menos 5 segundos até a palavra «END» aparecer.

## 6. MANUTENÇÃO E LIMPEZA

O produto não requer nenhuma manutenção. Recomendamos a limpeza do produto (costas, fundo do produto, aberturas superiores, etc.). Não utilizar qualquer produto abrasivo no alumínio, limpá-lo com um pano húmido e sabão de pH neutro e a tela com um pano seco. Antes de efectuar qualquer operação de limpeza, certifique-se de que o radiador está desligado e à temperatura ambiente.

**AVISO:** Desligar o produto da fonte de alimentação e assegurar que o produto está à temperatura ambiente antes de qualquer limpeza ou manutenção. Não utilizar quaisquer produtos abrasivos em alumínio, tais como (mas não limitados a) produtos químicos, panos grosseiros, escovas de cerdas duras ou lã de arame/aço.

## 7. REGULAMENTO EUROPEU 2012/19/UE






Com base no regulamento europeu 2012/19 / UE sobre Resíduos de Equipamentos Elétricos e Eletrônicos (REEE), estes dispositivos não podem ser enviados para os contentores municipais de lixo; O Radiador devem ser recolhidos seletivamente para otimizar a recuperação e reciclagem dos componentes e materiais que os constituem e reduzir o impacto na saúde humana e no meio ambiente. O símbolo de lata de lixo riscado com uma barra horizontal está marcado em todos os produtos Rointe para lembrar os consumidores da obrigação de separá-los para recolha seletiva. O consumidor deve entrar em contato com as autoridades locais ou o vendedor para obter informações sobre a correta recolha e eliminação o de seu produto.

## 8. GARANTIA

Esta seção descreve as condições de garantia disponíveis para o comprador quando ele adquire um novo radiador da marca Rointe. Estas condições reúnem todos os direitos que o comprador possui de acordo com a legislação nacional em vigor, bem como a garantia e direitos adicionais oferecidos pela marca Rointe.

10.1. Qualquer incidente que você detecte no seu produto Rointe pode ser tratado pelo vendedor do produto ou de forma mais ágil através do próprio fabricante. A Rointe, coloca à sua disposição um **TELEFONE DE ASSISTÊNCIA TÉCNICA 221 200 114 onde indicaremos os passos a seguir para solucionar o referido incidente.**

**Você precisará da referência do produto (localizada na etiqueta de características do produto), número de série, data de compra e a natureza da falha ao entrar em contato conosco para acionar a garantia. Além disso, anexe uma cópia da fatura de compra do produto.**

			
REFERÊNCIA	TCOD: RD6154311		
	REF: DIW0550RAD		
	INPUT: 230 V~ 50Hz 550W		
NÚMERO DE SÉRIE	S/N: 843604591371500001		
	D SERIES		
			  IP 24C
			 ERE

## 8.1 Condições

1. Rointe garante que este produto não apresenta defeitos de material, design ou fabricação no momento de sua compra original e por um período de 24 meses (2 anos) nos componentes elétricos e eletrônicos e 120 meses (10 anos) no corpo de alumínio.

2. Se, durante o período de garantia, o radiador não funcionar adequadamente com o uso normal, e for uma falha de projeto, material ou fabricação, a Rointe irá reparar ou substituir o radiador, conforme julgar apropriado, de acordo com os termos e condições estabelecidos abaixo:

2.1. A garantia só é prestada se for apresentado o certificado de garantia original emitido pelo estabelecimento vendedor e devidamente preenchida a referida garantia incluindo a referência do produto, número de série (refletido na etiqueta de características técnicas do produto), data de compra e carimbo do vendedor.

Rointe reserva-se o direito de recusar o serviço de garantia quando esta informação for removida ou retificada após a compra original do produto.

2.2. A garantia aplica-se apenas a casos relacionados com defeitos de material, design ou fabricação, em nenhum caso cobre danos ao radiador pelos seguintes motivos:

a) Uso incorreto do produto, para fins diferentes dos normais ou por não respeitar as instruções de uso e manutenção fornecidas pela Rointe, bem como a instalação ou uso do produto de qualquer forma que não cumpra as normas técnicas de segurança em vigor. Reparações não autorizadas realizadas por pessoal não autorizado ou abertura do radiador por pessoas não autorizadas. Acidentes imprevistos fora do controle de Rointe, como descargas atmosféricas, incêndio, inundação, desordem pública, etc.

b) As reparações ou substituições contempladas por esta garantia não permitem a prorrogação ou novo início do período de garantia.

c) As reparações ou substituições contempladas por esta garantia devem ser feitos com unidades funcionalmente equivalentes. As peças defeituosas ou as peças removidas ou substituídas passarão a ser propriedade da Rointe.

3. O serviço técnico da Rointe pode aconselhá-lo, se você precisar, a comprar uma peça fora do período de garantia.

4. Esta garantia não afeta os direitos legais do comprador ao abrigo da legislação nacional em vigor, nem os direitos do comprador contra os do distribuidor ou instalador decorrentes do contrato de venda.

5. Na ausência de legislação nacional aplicável em vigor, esta garantia será a única proteção do comprador. A Rointe, seus escritórios e distribuidores e instaladores não se responsabilizam por qualquer tipo de danos, acidentais ou incidentais, derivados da violação de qualquer regra implícita relacionada a este produto.



## 8.2 Registo da garantia

É importante que registe o seu produto ROINTE como parte do nosso serviço de garantia, caso deseje fazer uma reclamação. Pode registar o seu produto ROINTE das seguintes formas:

### **WEB**

1. Ir para [www.rointe.com/pt/registe-a-sua-garantia/](http://www.rointe.com/pt/registe-a-sua-garantia/).
2. Inicie sessão na sua conta existente ou crie uma nova conta se necessário.
3. Clique em “Os Meus Produtos”.
4. Introduza a referência do seu produto (alfanumérica e em letras maiúsculas).
5. Introduza o seu número de série (26 dígitos localizados na etiqueta metálica do seu produto e começa com 843).
6. Carregue a sua prova de compra, tal como uma factura em formato PDF, JPEG ou PNG. Isto não é obrigatório, mas assegura que o seu período de garantia seja exacto.
7. Clique em “Registar”. Parabéns! O seu produto está agora registado.

### **CORREIO ELECTRÓNICO**

1. Enviar um e-mail para **sat@rointe.com** com as seguintes informações:
  - Nome do cliente
  - Endereço e código postal
  - Número de telefone e endereço de correio electrónico
  - Referência do produto (alfanumérico e em letras maiúsculas)
  - Número de série (26 dígitos localizados na etiqueta metálica do seu produto e começa com 843)
  - A data de compra do produto e a prova de compra (tal como a factura)
2. A nossa equipa de apoio técnico confirmará o registo do seu produto e solicitará qualquer informação adicional requerida por correio electrónico.

### **POSTAL**

1. Por favor envie a informação na secção CORREIO ELECTRÓNICO para:
  - **INDUSTRIAS ROYAL TERMIC, S.L. - ROINTE, C/E Parcela 43, 30140, Santomera (SPAIN)**
2. Por favor, não se esqueça de obter uma prova de envio.

## 9. ERP: REGULAMENTO DA COMISSÃO (EU) 2015/1188

ITEM	SÍMBOLO			UNIDADE		
	1000RAD	1500RAD	2000RAD	1000RAD	1500RAD	2000RAD
<b>POTÊNCIA CALORÍFICA</b>						
Potência calorífica nominal	$P_{nom}$	kW	1	1,5	2,0	2,0
Potência calorífica mínima (indicativa)	$P_{min}$	kW	n/a	n/a	n/a	n/a
Potência calorífica máxima continuada	$P_{max,c}$	kW	1	1,5	2,0	2,0
<b>CONSUMO AUXILIAR DE ELECTRICIDADE</b>						
A potência calorífica nominal	$e_{l,MAX}$	kW	1,000	1,500	2,000	2,000
A potência calorífica mínima	$e_{l,MIN}$	kW	1,000	1,500	2,000	2,000
Em modo de espera	$e_{l,SB}$	kW	0,0012	0,0012	0,0012	0,0012
<b>TIPO DE CONTROLE DE POTÊNCIA CALORÍFICA / DE TEMPERATURA INTERIOR (SELECCIONE UM)</b>						
Potência calorífica de um sozinho nível, sem controle de temperatura interior			–	–	–	–
Dois ou mais níveis manuais, sem controle de temperatura interior			–	–	–	–
Com controle de temperatura interior mediante termostato mecânico			–	–	–	–
Com controle eletrónico de temperatura interior			–	–	–	–
Controle eletrónico de temperatura interior e temporizador diário			–	–	–	–
Controle eletrónico de temperatura interior e temporizador semanal			✓	✓	✓	✓
<b>OUTRAS OPÇÕES DE CONTROLE (PODEM SELECIONAR-SE VÁRIAS)</b>						
Controle de temperatura interior com detecção de presença			–	–	–	–
Controle de temperatura interior com detecção de janelas abertas			✓	✓	✓	✓
Com opção de controle a distancia			–	–	–	–
Com controle de posta em marcha adaptável			–	–	–	–
Com limitação de tempo de funcionamento			–	–	–	–
Com sensor de lustre negro			–	–	–	–
<b>RENDIMENTO DE EFICIÊNCIA ENERGÉTICA ESTACIONAL</b>	$\eta_s$	–	<b>38,0%</b>	<b>38,0%</b>	<b>38,0%</b>	<b>38,0%</b>

## 10. ESPECIFICAÇÕES E DADOS TÉCNICOS

MODELO	1000RAD	1500RAD	2000RAD
Nº de elementos	2	3	4
<b>MATERIAIS</b>			
Corpo de alumínio de alta pureza	✓	✓	✓
Panel de controlo com teclado mecânico	✓	✓	✓
<b>DIMENSÕES, PESOS E ACABAMENTOS</b>			
Largura (mm)	236	356	476
Altura (mm)	1.800	1.800	1.800
Profundidade (mm)	72	72	72
Profundidade instalada (mm)	110	110	110
Peso (kg)	11	15,5	20,5
Acabamento	Branco RAL 9016 / Preto Sandblast S305I		
<b>CAPACERÍSTICAS ELÉCTRICAS</b>			
Potência nominal (W)	1.000	1.500	2.000
Voltagem (V)	230 ~V	230 ~V	230 ~V
Corrente (A)	4,3	6,5	8,7
Potência por elemento (W)	500	500	500
<b>INSTALAÇÃO E SEGURANÇA</b>			
Termostato de segurança	✓	✓	✓
Kit de instalação	✓	✓	✓
Grau de protecção	IPX4	IPX4	IPX4





**NOTES:**

---

---

---

---

---

---

---

---

---

---

---

---

---

---

---

---

---

---

---

---

---

---

---

---

---

---

---

---

---

---



**Rointe United Kingdom**

Hampton Business Park, Club Way,  
Peterborough PE7 8JA  
T. 0203 321 5928

**Rointe Ireland**

Blackrock, County Louth  
T. 01 553 0523

**Rointe España & Portugal**

P.I. Vicente Antolinos - C/ E, p. 43, 30140 Murcia  
T. 902 158 049

**Rointe France**

6 Rue Duret, 75116 Paris  
T. 01 73 05 70 01



Copyright © Rointe Heating 2020. All rights reserved. As part of our continuous improvement policy, we reserve the right to alter or modify any product or specifications without notice. This also applies to products already on order provided that such alterations can be made without subsequent changes to specifications already agreed. We cannot accept responsibility for any errors in catalogues or other printed materials.

Copyright © Rointe Heating 2020. Todos los derechos reservados. Como parte de nuestra política de mejora continua, nos reservamos el derecho de alterar o modificar cualquier producto o especificaciones sin previo aviso. Esto también se aplica a los productos que ya se han pedido, siempre y cuando dichas alteraciones se puedan realizar sin cambios posteriores en las especificaciones ya acordadas. No podemos aceptar la responsabilidad de ningún error en los catálogos u otros materiales impresos.

