



Stiebel Eltron SN 5 t ECO GB 202135

STIEBEL ELTRON

Technik zum Wohlfühlen

SN 5 t ECO GB 202135



- Contemporary design based on the instantaneous water heaters design
- Housing material: scratch resistant ASA white
- Improved thermal insulation
- Anti-drip function
- Thermostop function
- Menu-driven electronic controller with LC display
- ECO operation with hygiene function
- Timer mode
- Adjustable minimum and maximum temperature limitation
- Operation lock (LOCK function)
- Electronic dry run protection
- info menu

STIEBEL ELTRON

SN 5 t ECO GB 202135



SNE 5 t ECO GB Overall view



SNE 5 t ECO GB Operating unit

Temperature display

Display ECO mode

Heating process display

Operating keys: +/-
ECO mode
menu selection
acknowledgement key

STIEBEL ELTRON

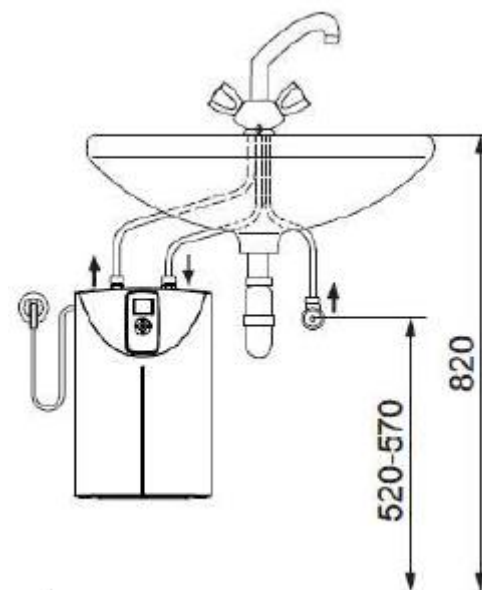
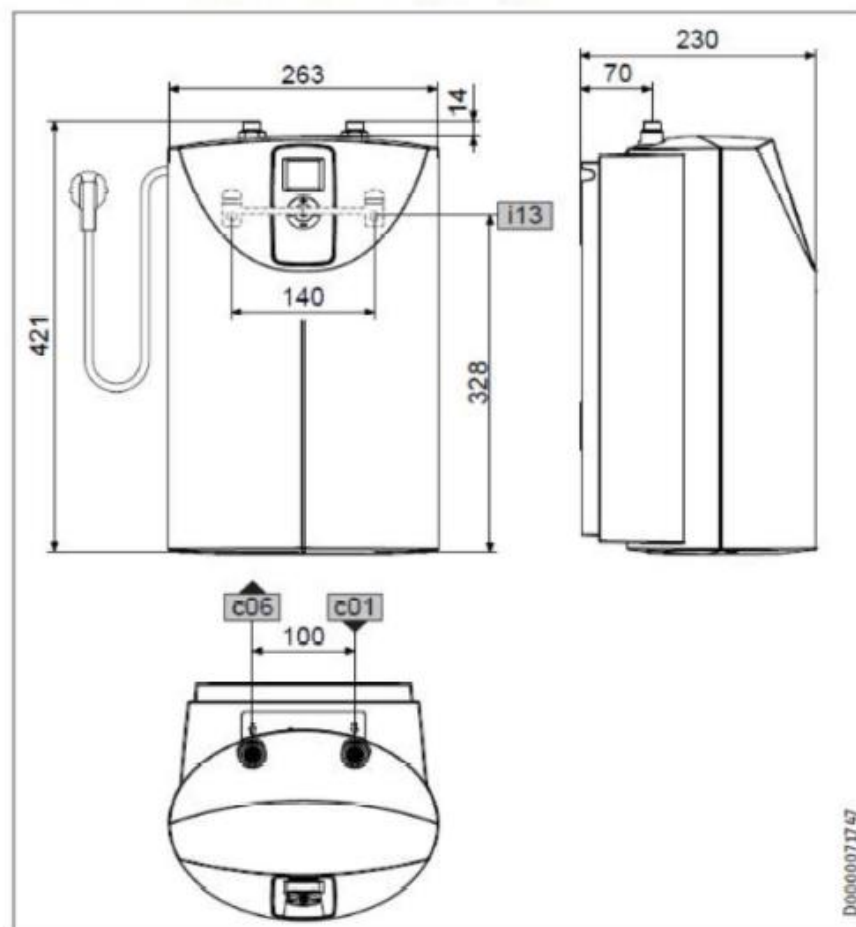
SN 5 t ECO GB



- Temperature setting accurate to degree from 30-85 °C via operating keys
- Activatable ECO function for power-saving operation
- Three selectable weekly timers
- Up to 14 individually programmable comfort phases
- Illuminated LC display for indication of operating parameters
- Adjustable upper and lower temperature limit and locking option for the display
- Anti-drip function for maximum comfort and hygiene
- Thermostop function to prevent energy losses in twin lever mixer

SN 5 t ECO GB

15.1 Dimensions and connections

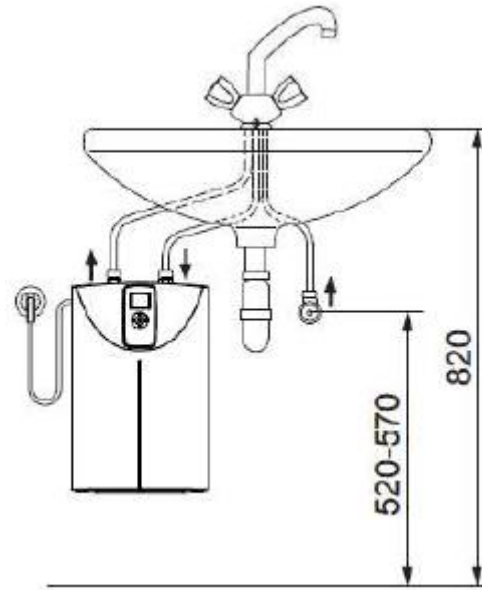
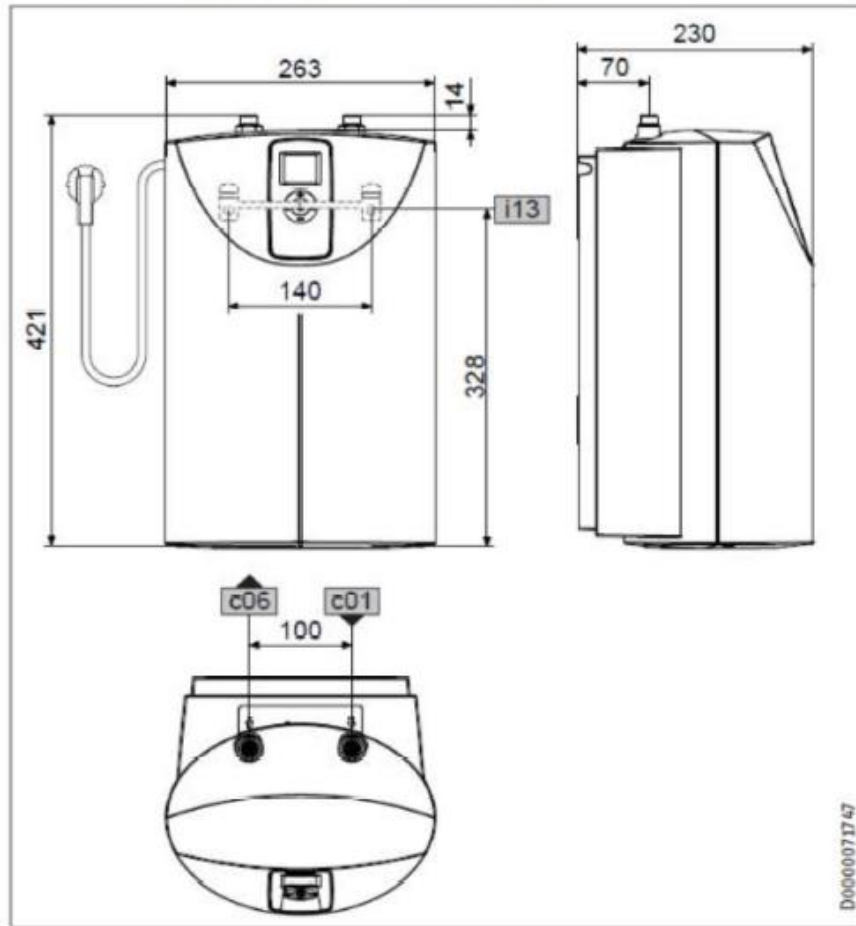


		SNE 5 t ECO GB	
c01	Cold water inlet	Male thread	G 3/8 A
c06	DHW outlet	Male thread	G 3/8 A
i13	Wall mounting bracket		

		SNE 5 t ECO GB		
		202135		
Hydraulic data				
Rated capacity	l	5		
Mixed water volume at 40 °C	l	10		
Electrical details				
Rated voltage	V	220	230	240
Rated output	kW	1.8	2	2.2
Rated current	A	8.3	8.7	9.1
Fuse protection	A	10		
Phases		1/N/PE		
Frequency	Hz	50/60		
Power supply		1/N/PE		
Application limits				
Available temperature range	°C	30 - 85		
Max. permissible pressure	MPa	0		
Max. throughput	l/min	5		
Energy data				
Standby energy consumption / 24h at 38 °C	kWh	0.09		
Standby energy consumption / 24 h at 65 °C	kWh	0.2		
Energy efficiency class		A		
Versions				
IP-Rating		IP24 D		
Type of installation		Undersink		
Type		open		
Material, internal cylinder		PP		
Thermal insulation material		EPS		
Casing material		ASA		
Colour		white		
Connections				
Water connection		G 3/8 A		
Dimensions				
Height	mm	421		
Width	mm	263		
Depth	mm	230		
Length of connecting cable	mm	600		
Weights				
Weight	kg	3.1		

SN 5 t ECO GB

15.1 Dimensions and connections

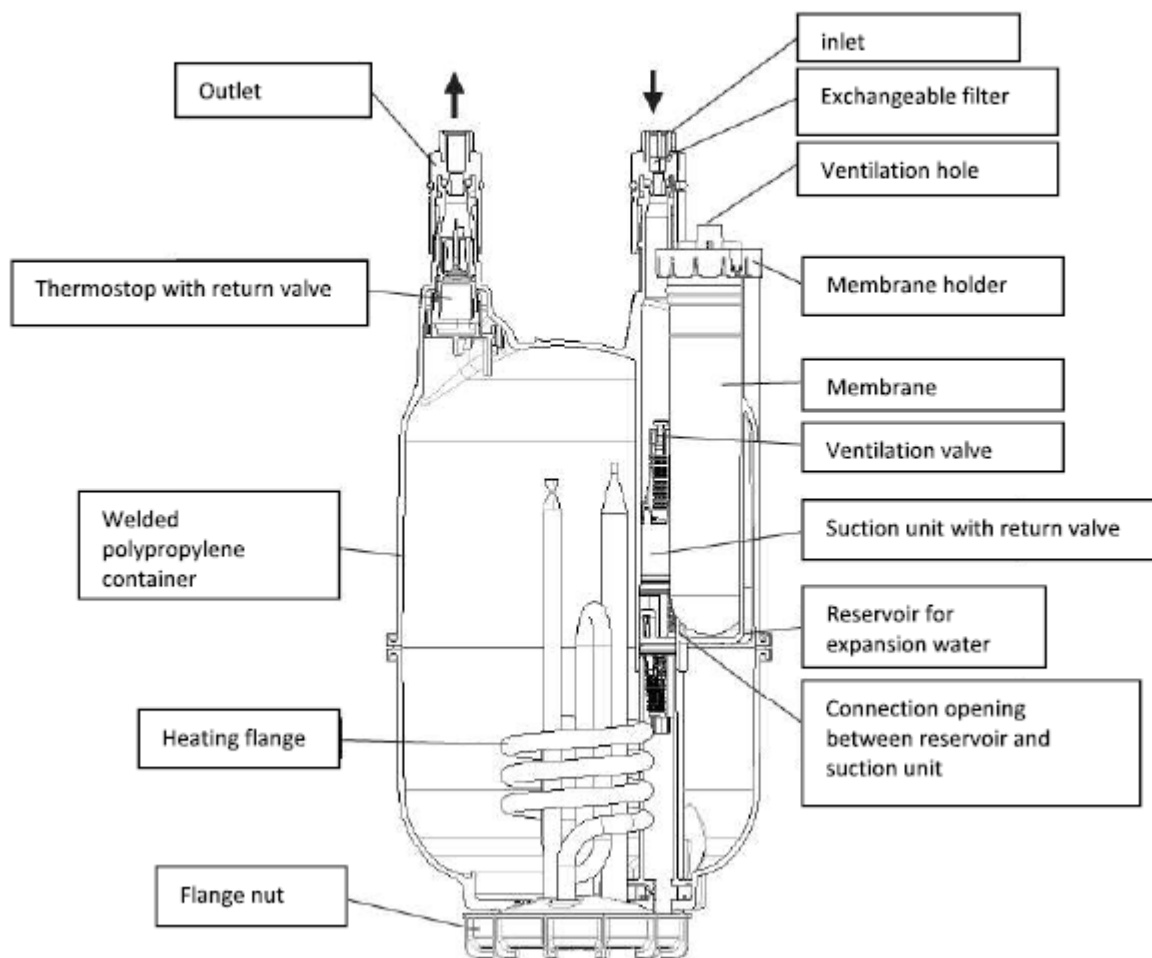


		SNE 5 t ECO GB	
c01	Cold water inlet	Male thread	G 3/8 A
c06	DHW outlet	Male thread	G 3/8 A
i13	Wall mounting bracket		

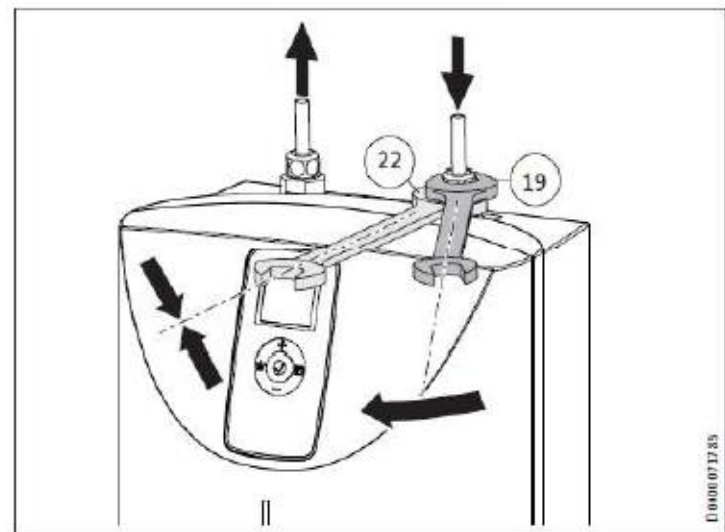
		SNE 5 t ECO GB		
		202135		
Hydraulic data				
Rated capacity	l	5		
Mixed water volume at 40 °C	l	10		
Electrical details				
Rated voltage	V	220	230	240
Rated output	kW	1.8	2	2.2
Rated current	A	8.3	8.7	9.1
Fuse protection	A	10		
Phases		1/N/PE		
Frequency	Hz	50/60		
Power supply		1/N/PE		
Application limits				
Available temperature range	°C	30 - 85		
Max. permissible pressure	MPa	0		
Max. throughput	l/min	5		
Energy data				
Standby energy consumption / 24h at 38 °C	kWh	0.09		
Standby energy consumption / 24 h at 65 °C	kWh	0.2		
Energy efficiency class		A		
Versions				
IP-Rating		IP24 D		
Type of installation		Undersink		
Type		open		
Material, internal cylinder		PP		
Thermal insulation material		EPS		
Casing material		ASA		
Colour		white		
Connections				
Water connection		G 3/8 A		
Dimensions				
Height	mm	421		
Width	mm	263		
Depth	mm	230		
Length of connecting cable	mm	600		
Weights				
Weight	kg	3.1		

SN 5 t ECO GB

Structure and components of small water heater



water connection



power cable



STIEBEL ELTRON UK Ltd

Unit 12 Stadium Court

Bromborough

CH62 3RP

www.stiebel-eltron.co.uk