

**PLEASE READ THESE INSTRUCTIONS BEFORE
INSTALLING YOUR NEW HEATER**

PLEASE RETAIN FOR FUTURE REFERENCE

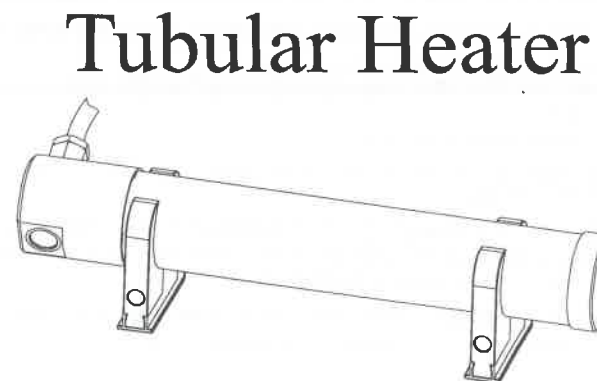
niglon

Cleaning:

- > Clean this heater only with a soft dry cloth
- > Do not use any chemical or abrasive cleaners.

Eventually, you may want to replace this heater:

When your heater comes to the end of its life or you choose to update or upgrade it by replacing it, please do not dispose of it with your normal household waste, please recycle where facilities exist. When you need to dispose of this heater, check with your retailer or local authority for suitable options. New regulations will encourage the recycling of Waste from Electrical and Electronic Equipment (European "WEEE Directive" effective August 2005).



Model(s)

NTH1,NTH2,NTH3,NTH4,NTH5,NTH6

Pack contents:

Tubular heater	1	Spare cable entry gland / nut	1
Bracket	2	Fixing screws	4
Clamp	2	Wall clip screws	2
Plastic plugs	4	screws	2




www.heatershop.co.uk

01473 276686

Safety markings:



Read this first:

- This heater must be installed in accordance with the Building Regulations. These may be obtained from HMSO or viewed and downloaded from www.communities.gov.uk following the link for Building Regulations.
- If in any doubt, consult a qualified electrician.
- This heater is designed for wall mounting and must be used horizontally. This heater should not be used vertically and should not be used as a free standing portable appliance.
- If the heater is to be installed in a location where it may be touched or handled, or could cause injury, we recommend fitting a protective guard such as the NIGLON NTG1, NTG2, NTG3, NTG4, NTG5 or NTG6 which are designed specifically for this purpose.
- This heater must be installed so that switches and other controls cannot be touched by a person in the bath or shower.
- The mounting position should allow the free movement of air around the heater. Obstructing the air flow could result in overheating.
- Switch off the mains before commencing installation and remove the appropriate circuit fuse.
- Suitable for indoor use only.
- This product is suitable for installation on surfaces with normal flammability (indicated by the "F" in a triangle) e.g. wood, plasterboard, masonry. It is not suitable for use on highly flammable surfaces (e.g. polystyrene, textiles).
- Before making fixing hole(s), check that there are no obstructions hidden beneath the mounting surface such as pipes or cables.
- The chosen location of your new heater should allow for the product to be securely mounted (e.g. to a solid wall) and safely connected to the mains supply.
- Do not site the heater directly beneath a mains outlet socket.
- If the location of your new heater requires the provision of a new electrical supply, the supply must conform with the requirements of the Building Regulations.
- This product is designed for use with a permanent connection to fixed wiring: this should be either a suitable ring circuit (protected with a 5 or 6 Amp MCB or fuse) or a fused spur (with a 3 Amp fuse) via a fused connection unit. The supply must incorporate a switch or other means of disconnection.
- If the plug supplied fitted to this product is not suitable for your socket outlets, remove it and fit a suitable alternative.
- Make connections to the electrical supply in accordance with the following code:
Live - Brown or Red
Neutral - Blue or Black
Earth - Green and Yellow
- This product must be connected to Earth.
- **WARNING**—To avoid overheating, do not cover the heater.
- The plug is fitted with a 3 Amp fuse. When replacing, use only a 3 Amp fuse approved to BS1362 and carrying the relevant approval mark. Never use the plug with the fuse omitted.
- If the supply cord is damaged, it must be replaced by the manufacturer, its service agent or similarly qualified persons in order to avoid a hazard.
- If you have made a fixed connection to the mains, you are advised at every stage of your installation to double-check any electrical connections you have made. After you have completed your installation there are electrical tests that should be carried out: these tests are specified in the Wiring Regulations (BS7671) referred to in the Building Regulations. If in doubt, consult a qualified electrician.
- **WARNING: This product becomes hot!**  children and persons with sensory, physical and/or mental impairments that would prevent them from using it safely.
- Small children should be supervised to ensure that they do not play with this appliance.

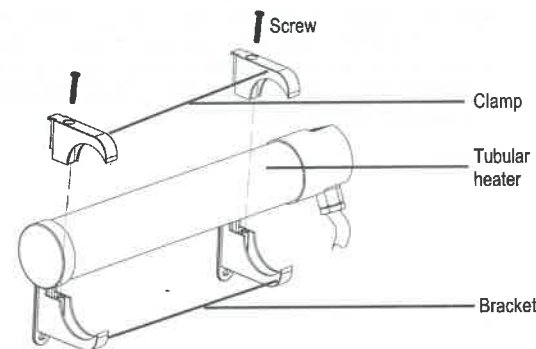
Installation:

Single heater

- 1) Choose the location for your new heater giving consideration to all of the points above.
- 2) Fit the plastic clips onto the fitting and slide towards each end of the heater. See opposite for assembly diagram.
- 3) Hold the heater against the mounting surface and mark the position of the fixing holes.
- 4) Remove the plastic clips.
- 5) Use a spirit level to check holes are level.
- 6) Make fixing holes using a No.8 / 5mm drill bit.
- 7) Insert the plastic plugs and secure the bottom part of the clip using the screws supplied. If the screws supplied are not appropriate for your installation, choose suitable alternatives.
- 8) Rest the heater onto the plastic clips and secure in place.
- 9) Make connections to the mains supply according to the colour code opposite or plug in.
- 10) Restore the power supply and switch on.

Multiple heaters

- 1) Follow the directions for fitting of a single heater for each of the locations where a heater is required. Do not fit one heater directly above another.
- 2) Loosen the small section of the cable entry gland nut on the heater nearest to the mains supply.
- 3) Loosen the screw in the end of the heater and remove the end cap. Take care removing the end cap not to pull the wires out of the terminals. Ease the cable back through the gland / nut as you pull the end cap away.
- 4) Take the mains plug off of the cable and remove the cap completely.
- 5) Remove the required blank out of the desired cable entry and fit the spare cable gland. The gland should be inserted with the short thread entering the cap and the large nut remaining on the outside.
- 6) Tighten securely but take care not to overtighten.
- 7) Check the length of cable required between the two heaters and cut to length giving sufficient spare to enter the first heater.
- 8) Loosen the small section of the new cable gland/nut and thread the cable through.
- 9) Strip back the cable end with approximately 25mm of coloured insulation showing and approximately 5mm of bare conductors.
- 10) Make the connections to the heater making sure that both supply and through connections are secure and that there are no strands of wire protruding from the terminal block.
- 11) Secure the spare cable clamp in position using the screws provided.
- 12) Secure the plastic end cap back in position threading both cables back through the gland/nuts.
- 13) Tighten the gland/nut assemblies.
- 14) Secure the cable between the two heaters. Make sure that the cable does not rest on top of the heater.
- 15) Repeat for each additional heater.
- 16) A maximum of 1000 Watts total may be connected together. Add together the total Wattage of all interconnected heaters and ensure the maximum is not exceeded.
- 17) If daisy-chaining heaters together, the fuse in the plug or spur may need to be changed:
For Wattages up to 600, a 3A fuse must be fitted. For Wattages over 600, a 5A fuse must be fitted.



Optional guard
NTG1-6



Power supply:		
NTH1	60 Watts	
NTH2	120 Watts	
NTH3	180 Watts	
NTH4	240 Watts	
NTH5	300 Watts	
NTH6	360 Watts	220—240V.a.c. 50Hz