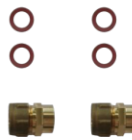


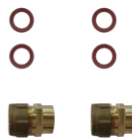
Unvented water heaters - 5 to 15 litres

Unvented for several draw off point



SHU 5 & 10 SL GB SET AX
undersink unvented, complete
with pressure relief valve and
adaptors.

SH10 & 15 SLi
oversink unvented, complete
with pressure relief valve and
adaptors.



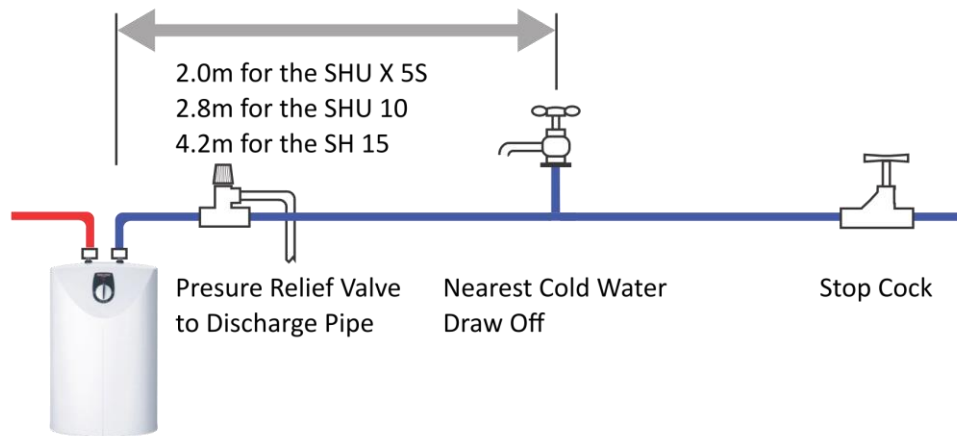
SHC 10 & 15 GB
undersink unvented, complete
with pressure relief valve and
adaptors.

They can be connected directly to a mains water supply or to a supply from a cistern tank provided that the following criteria is adhered to:

- There is nothing to restrict expanded hot water being accommodated in the pipework eg. check valve, in the cold water feed pipe.
- The cold water supply pressure does not exceed 5 bar.
- The expanded hot water cannot enter pipework that supplies a cold water faucet.
- The minimum distance over which the hot water will expand back down the cold feed pipe if 15mm pipework is used is as shown on the diagram below.

Unvented water heaters - 5 to 15 litres

Unvented for several draw off point



If you can't adhere to the above criteria please see use following kits

Unvented water heaters - 5 to 15 litres

Unvented for several draw off point



These water heaters come supplied complete with a pressure reducing valve, in-line strainer non-return valve, pressure relief valve, two reducers, expansion vessel, two connection pieces, four washers and a tundish. These can be connected directly to the mains cold water supply - see following digram.

